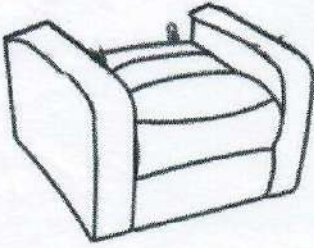


ASSEMBLY INSTRUCTION

HS4105 PUSH BACK CHAIR

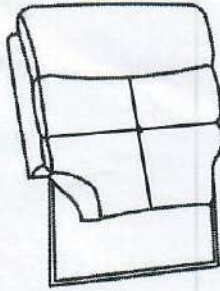
PART LIST

Ax1



SEAT

Bx1



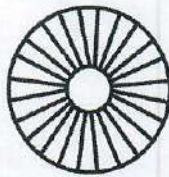
BACK

Cx4

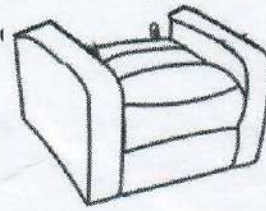
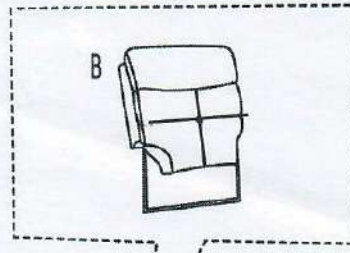


leg 8cm H

Dx4



①

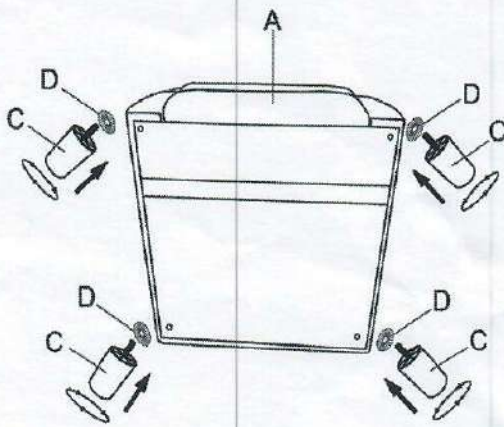


C

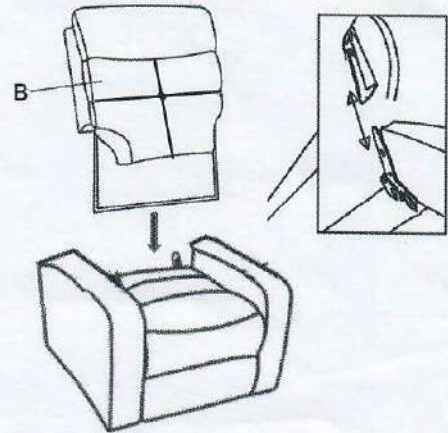


D

STEP 1



STEP 2



STEP 3



STEP 4

