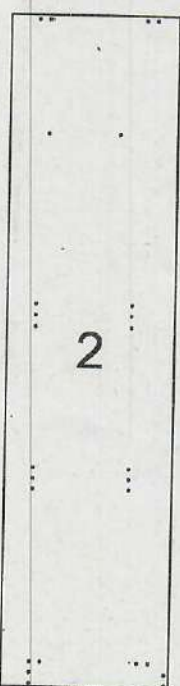
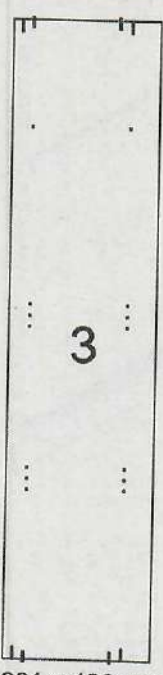


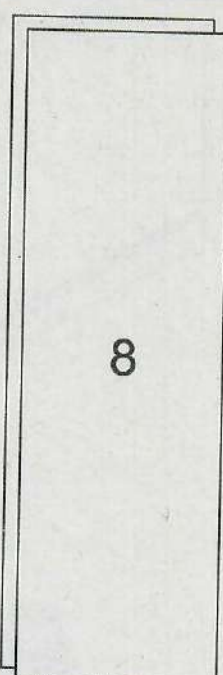
2000 x 500 mm



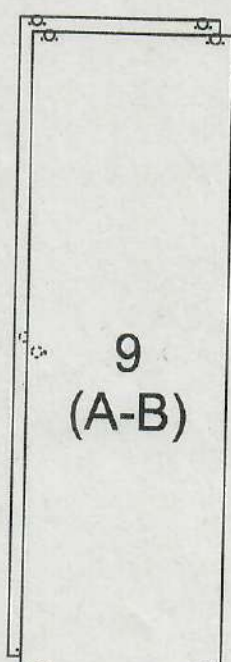
2000 x 500 mm



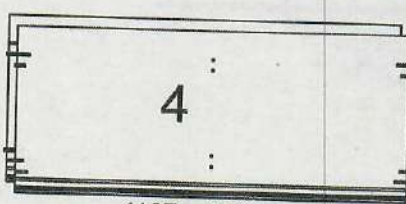
1901 x 436 mm



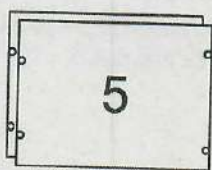
1932 x 597 mm



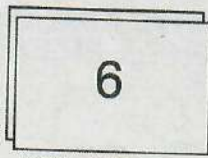
596 x 1894 mm



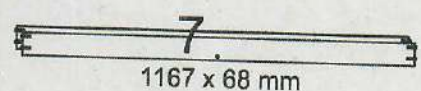
1167 x 499 mm



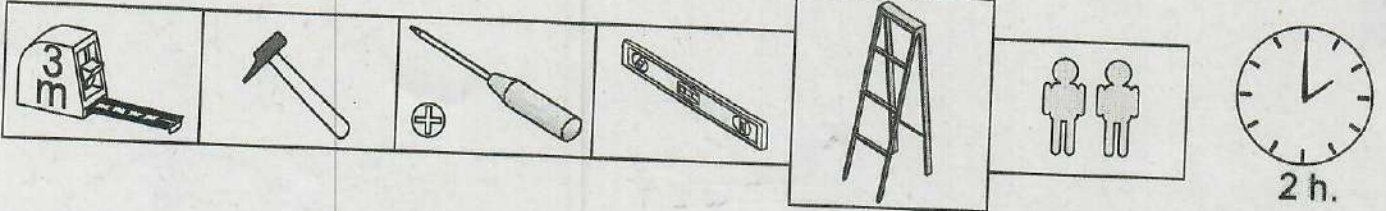
576 x 435 mm

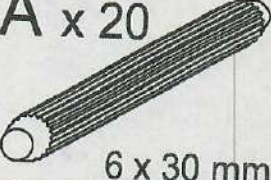
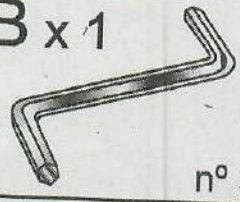

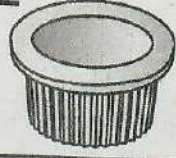
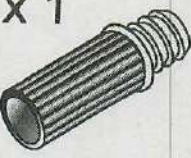
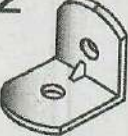
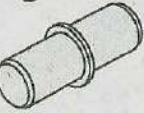
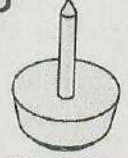

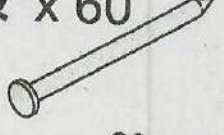

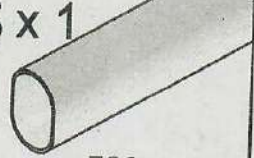

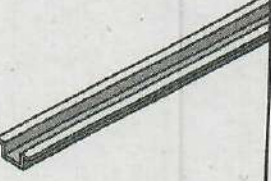
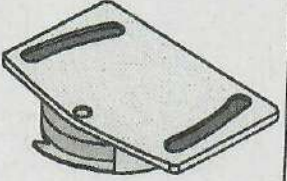
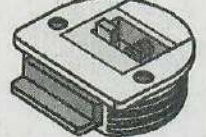




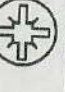



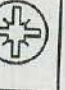

576 x 390 mm



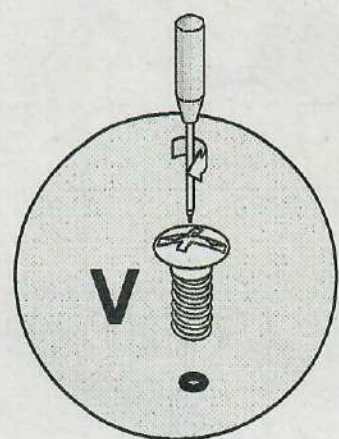
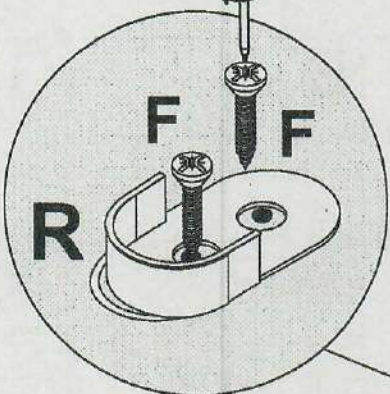
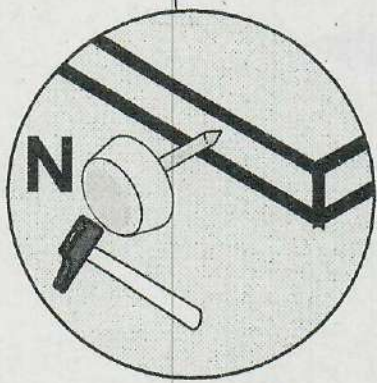
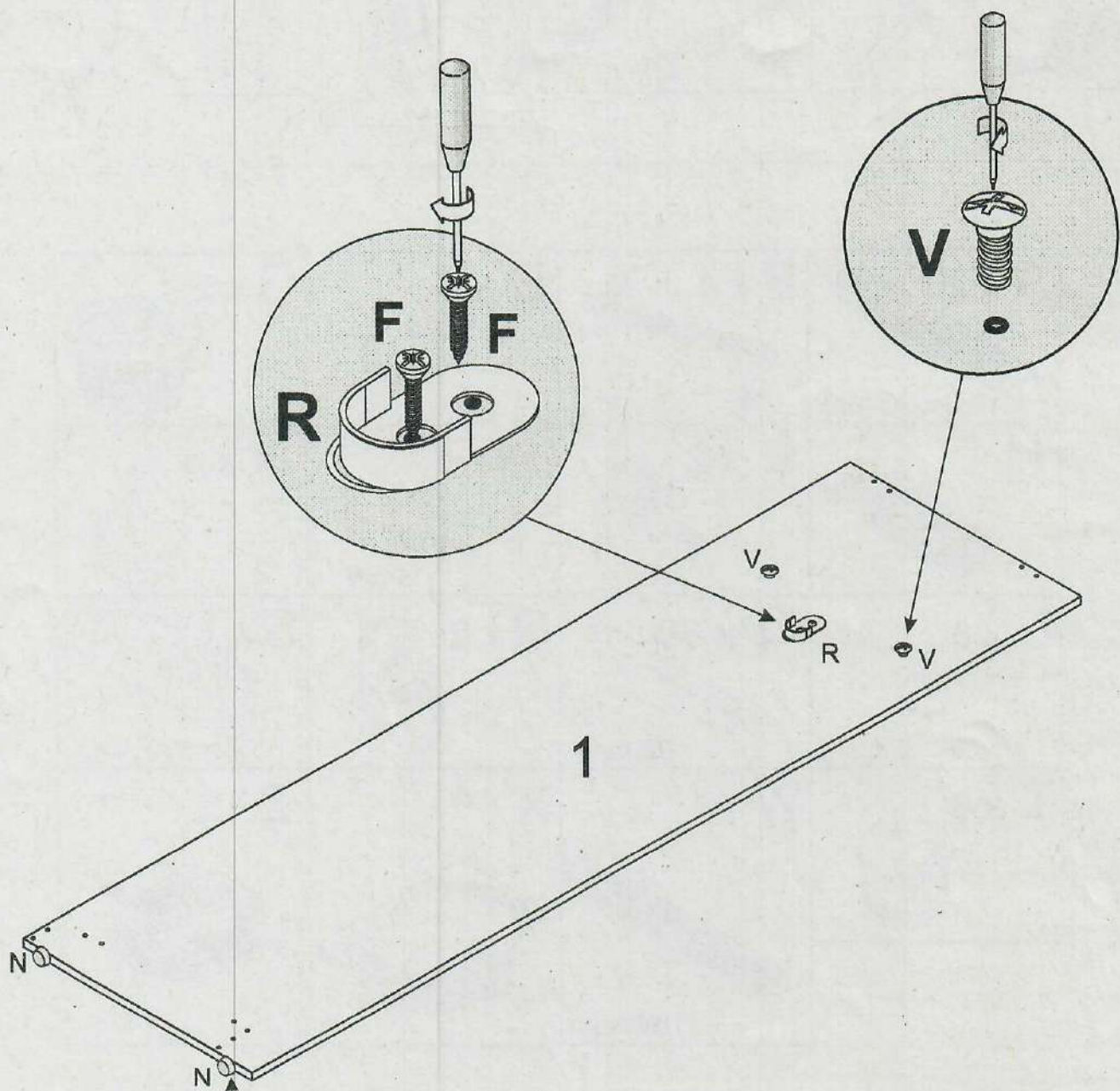
1167 x 68 mm




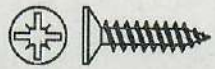


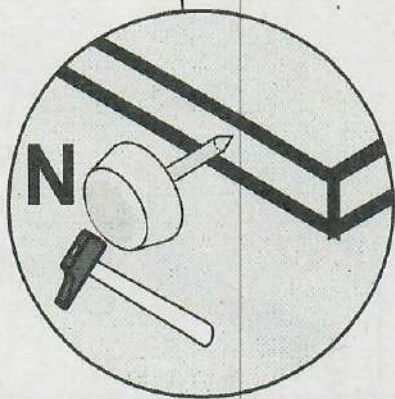
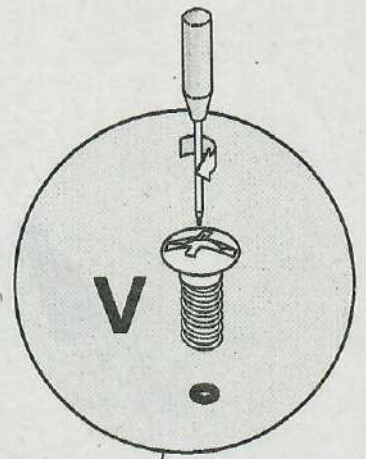
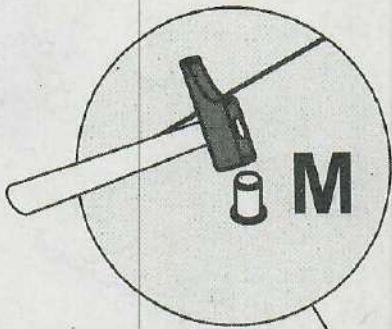
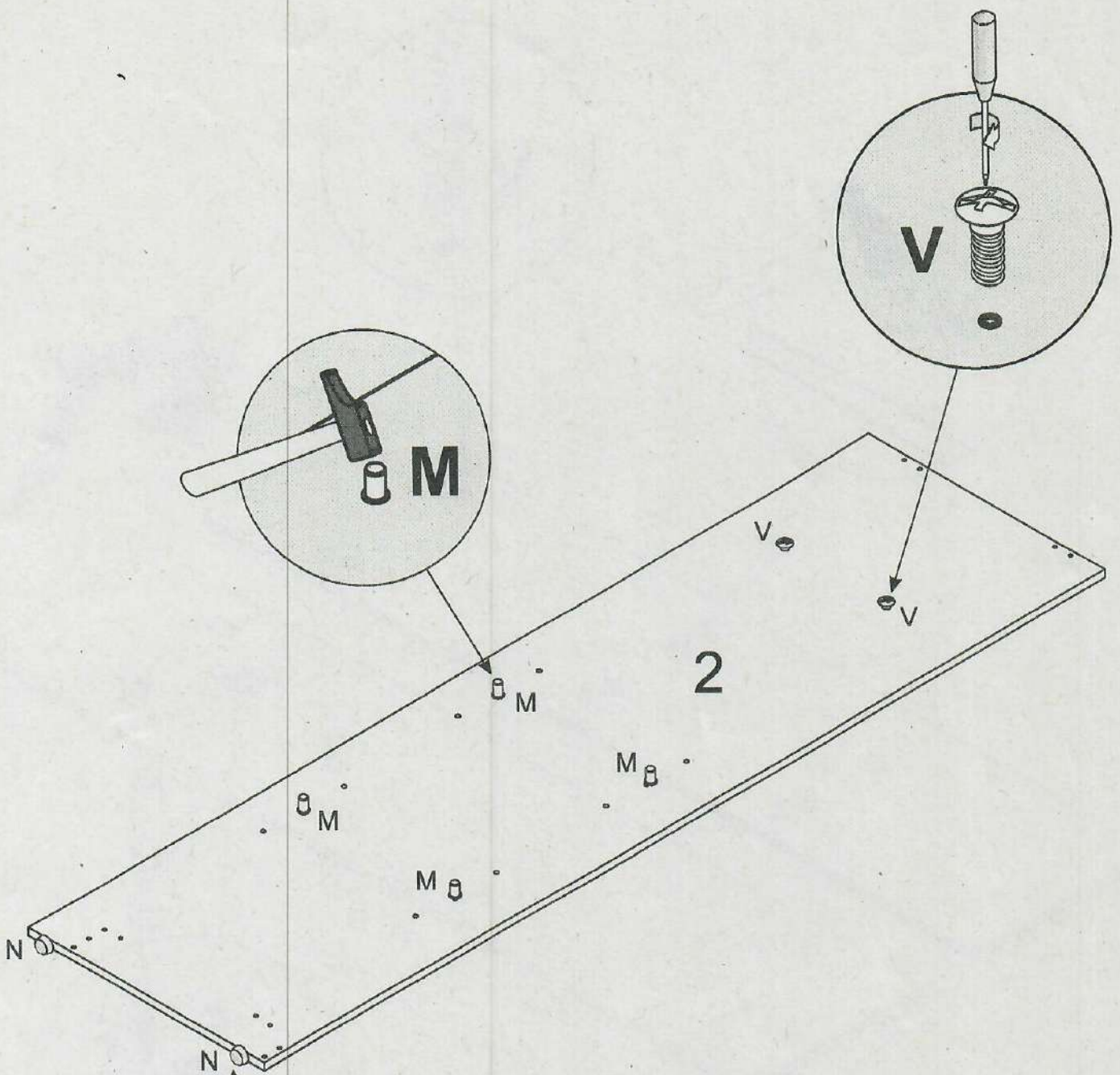
<b>A x 20</b>  6 x 30 mm	<b>B x 1</b>  n° 3	<b>D x 6</b> 	<b>G x 2</b> 
<b>H x 1</b> 	<b>L x 2</b> 	<b>M x 8</b>  5 mm.	<b>N x 6</b> 
<b>P x 8</b>  3 mm	<b>Q x 60</b>  20 mm	<b>R x 2</b> 	<b>S x 1</b>  569 mm.
<b>T x 8</b> 	<b>W x 4</b>  1166 mm	<b>X x 4</b> 	<b>Z x 4</b> 


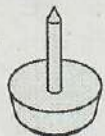
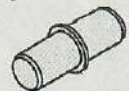
	0	1 cm.	2	3	4	5
	<b>C x 12</b>  5 x 50 mm					
	<b>F x 14</b>  3,5 x 16 mm					
	<b>U x 8</b>  3 x 15 mm					
	<b>V x 8</b>  M8 x 13 mm					

1

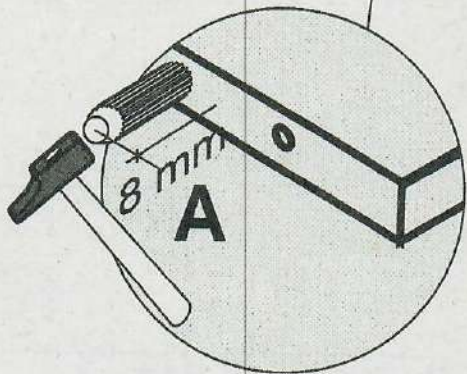
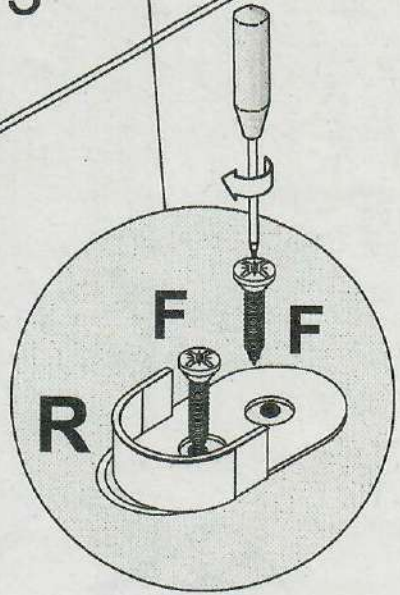
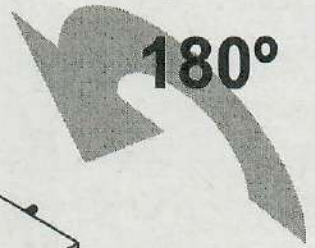
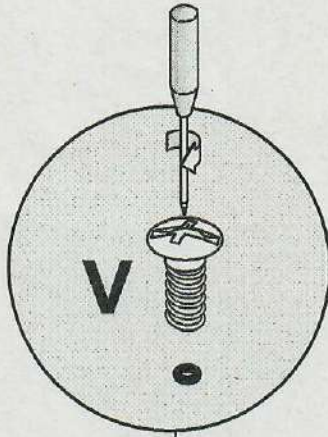
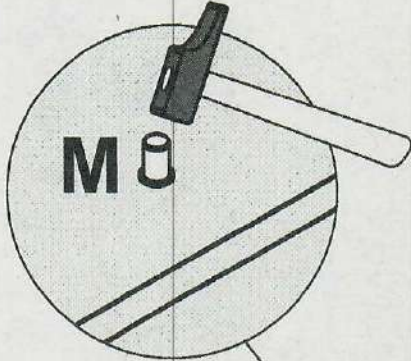
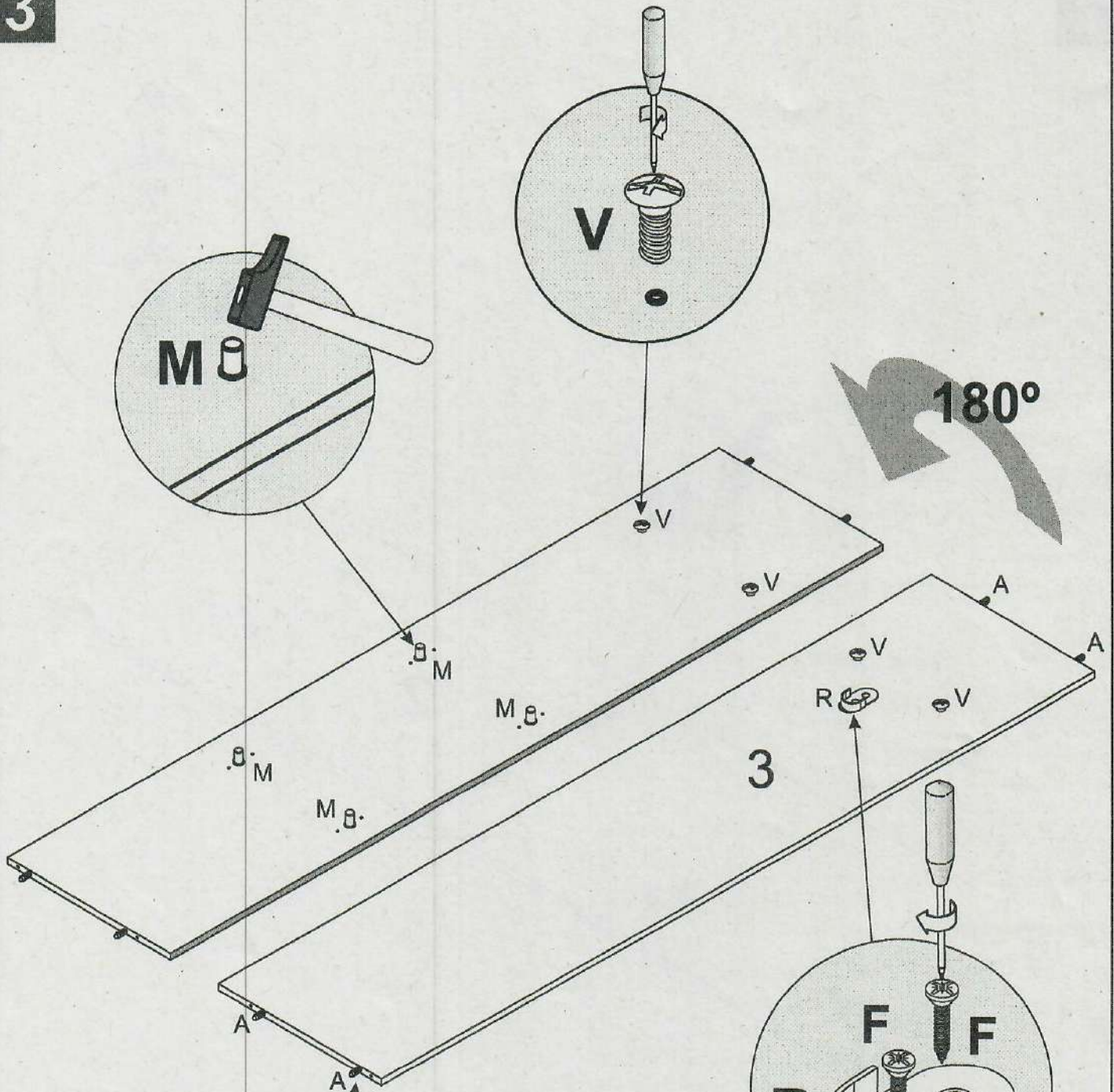


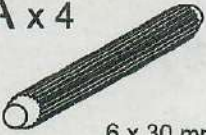
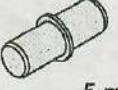
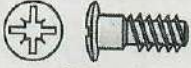


V x 2  M8 x 13 mm	R x 1 
N x 2 	F x 2  3,5 x 16 mm



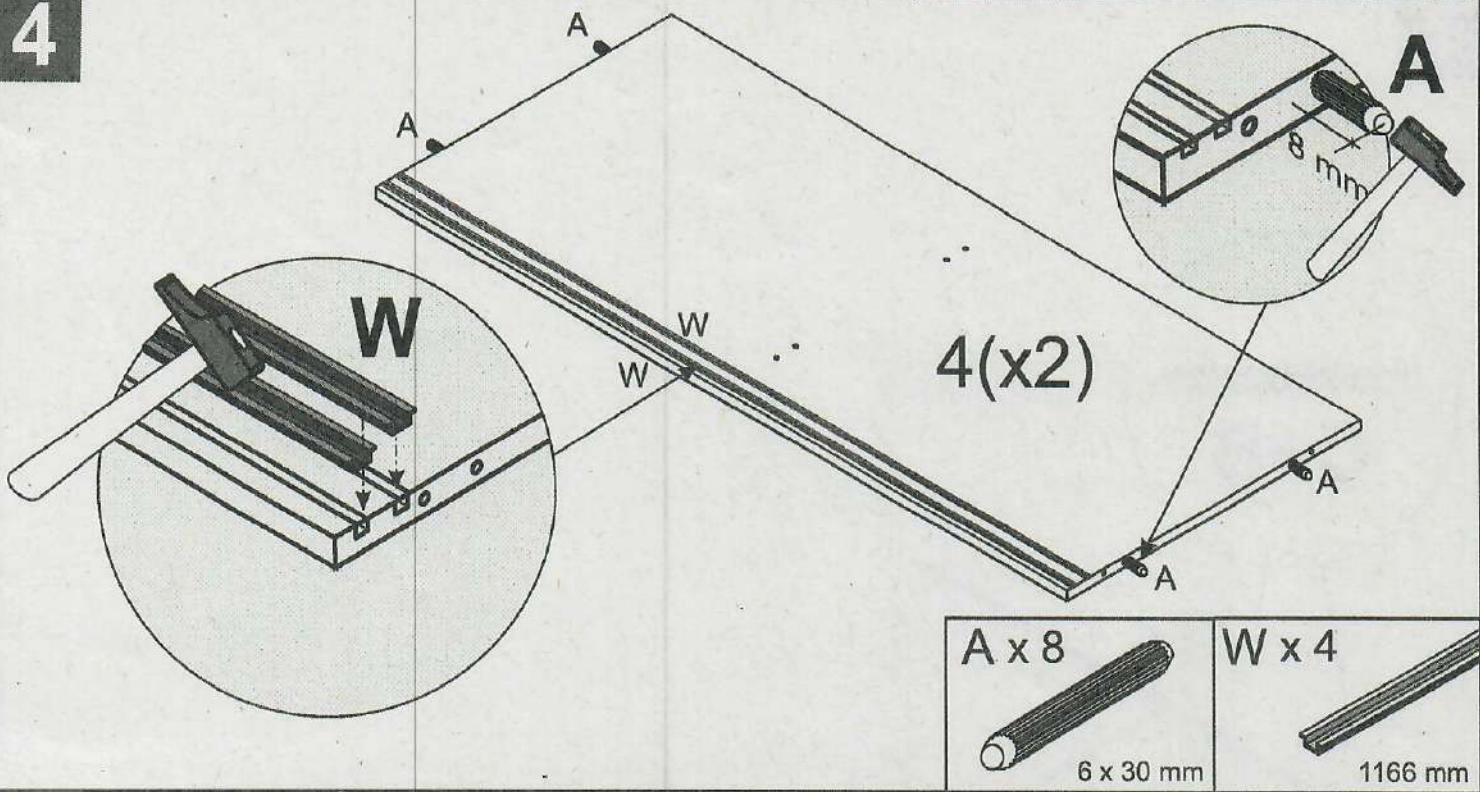
<p>V x 2</p>  <p>M8 x 13 mm</p>	<p>N x 2</p> 
<p>M x 4</p>  <p>5 mm</p>	

3

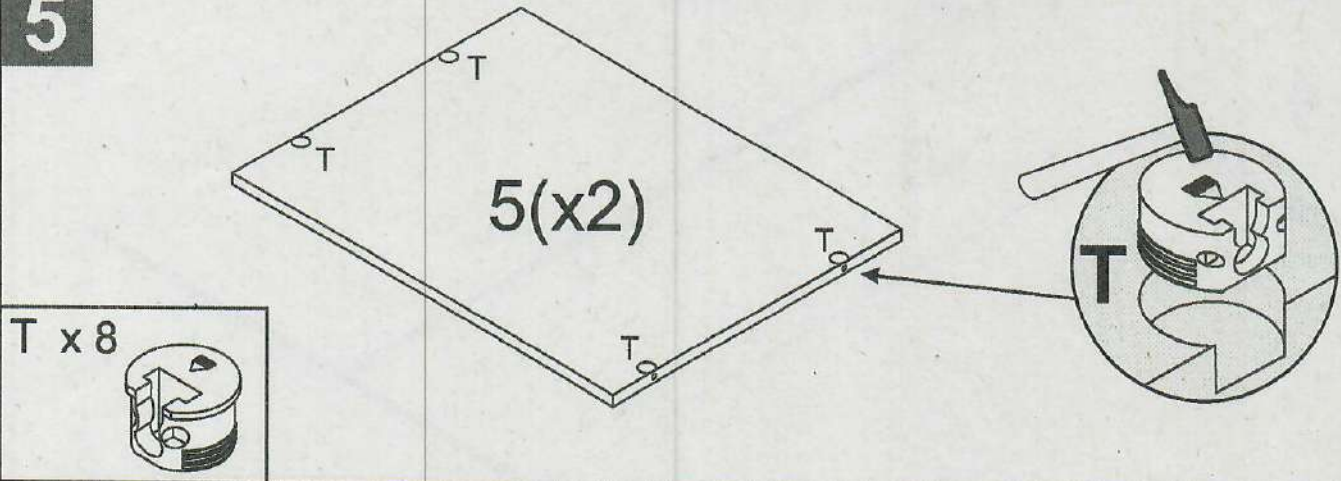


<b>A x 4</b>  6 x 30 mm	<b>M x 4</b>  5 mm	
<b>V x 4</b>  M8 x 13 mm	<b>R x 1</b> 	<b>F x 2</b>  3,5 x 16 mm

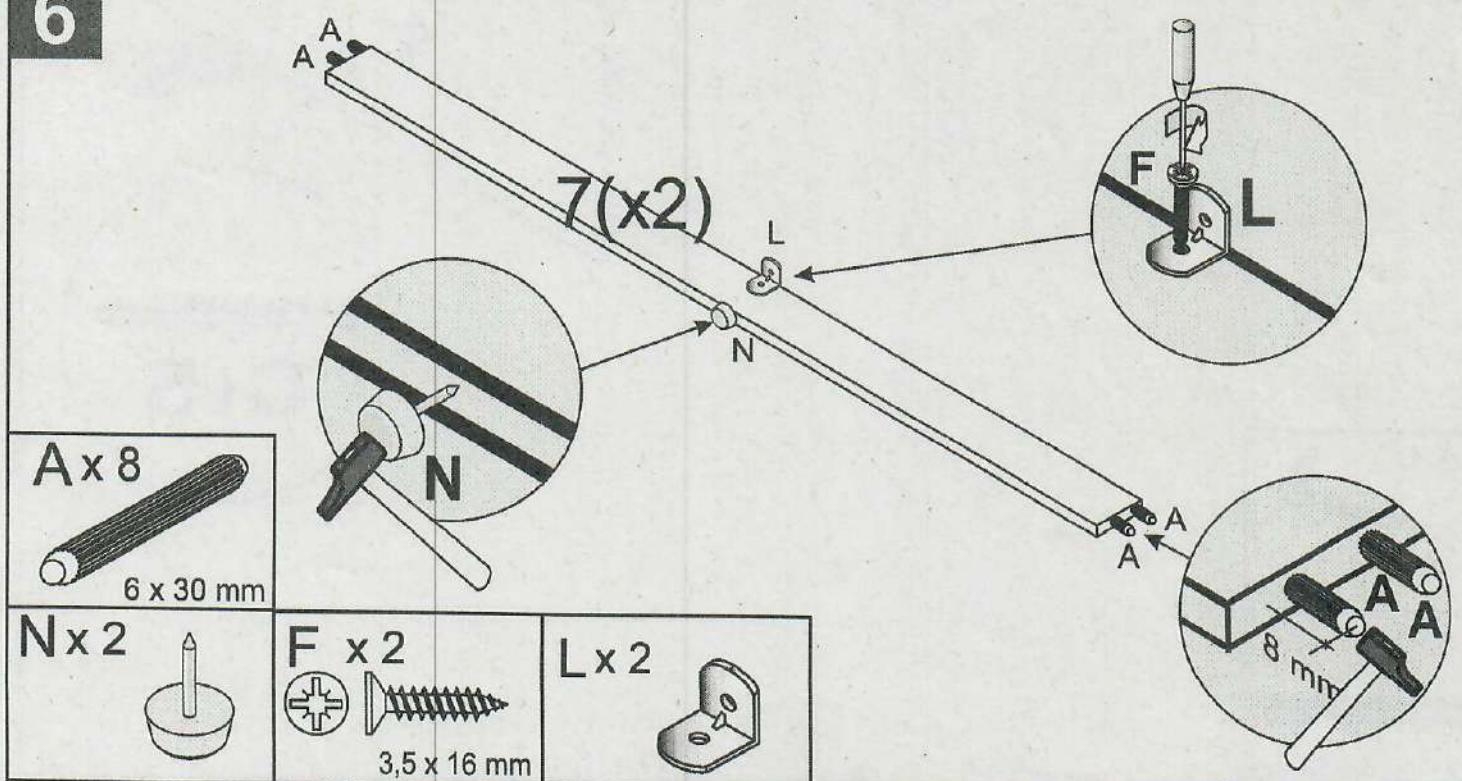
4



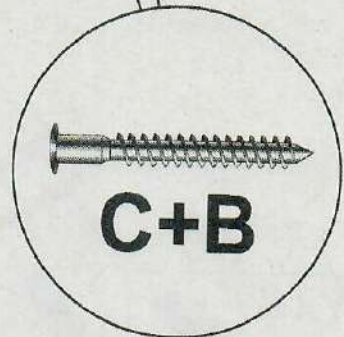
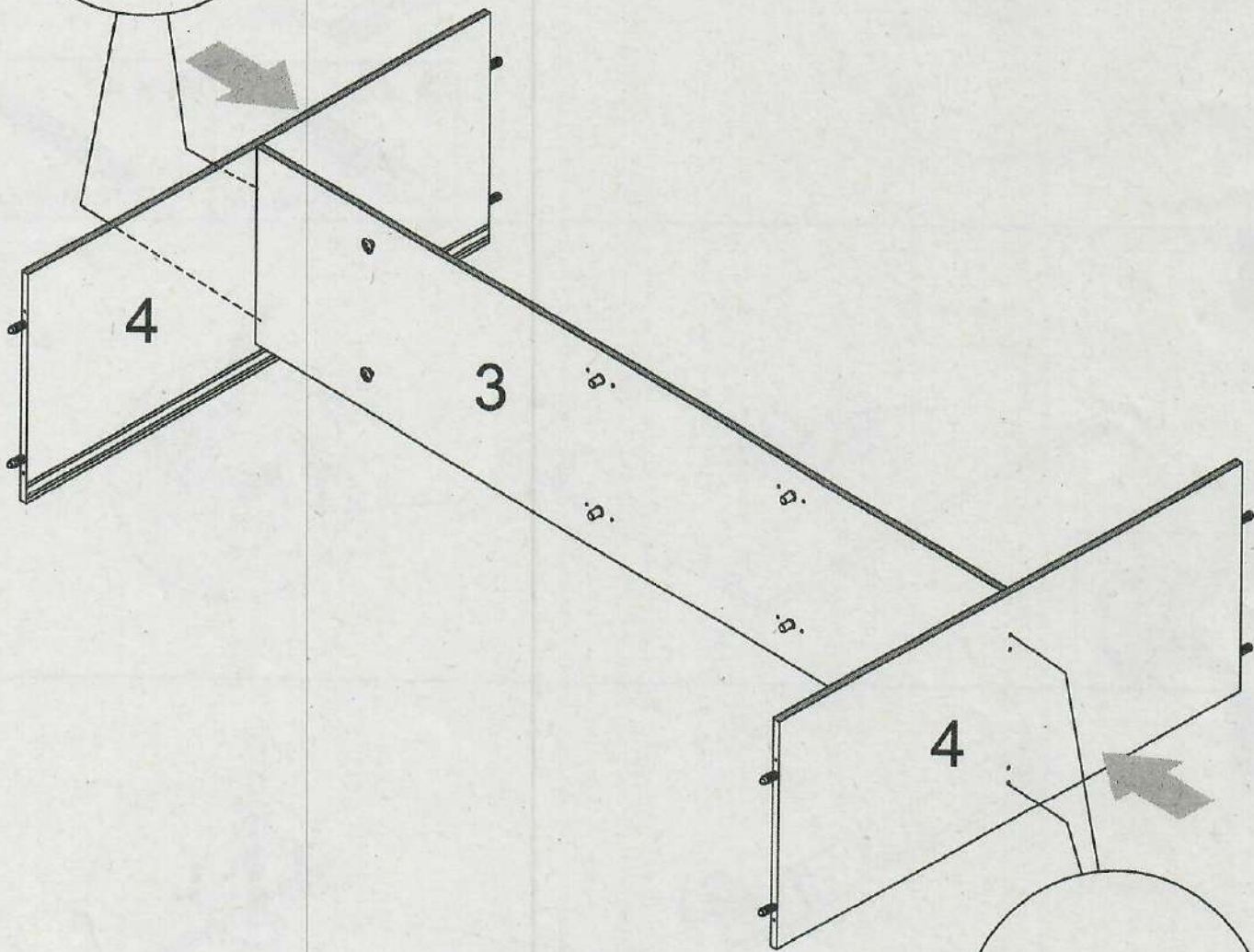
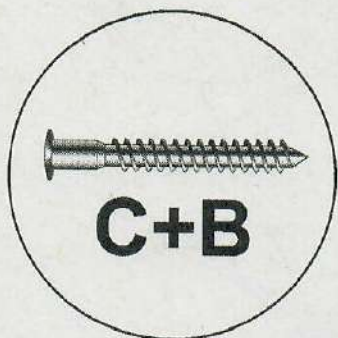
5



6



7

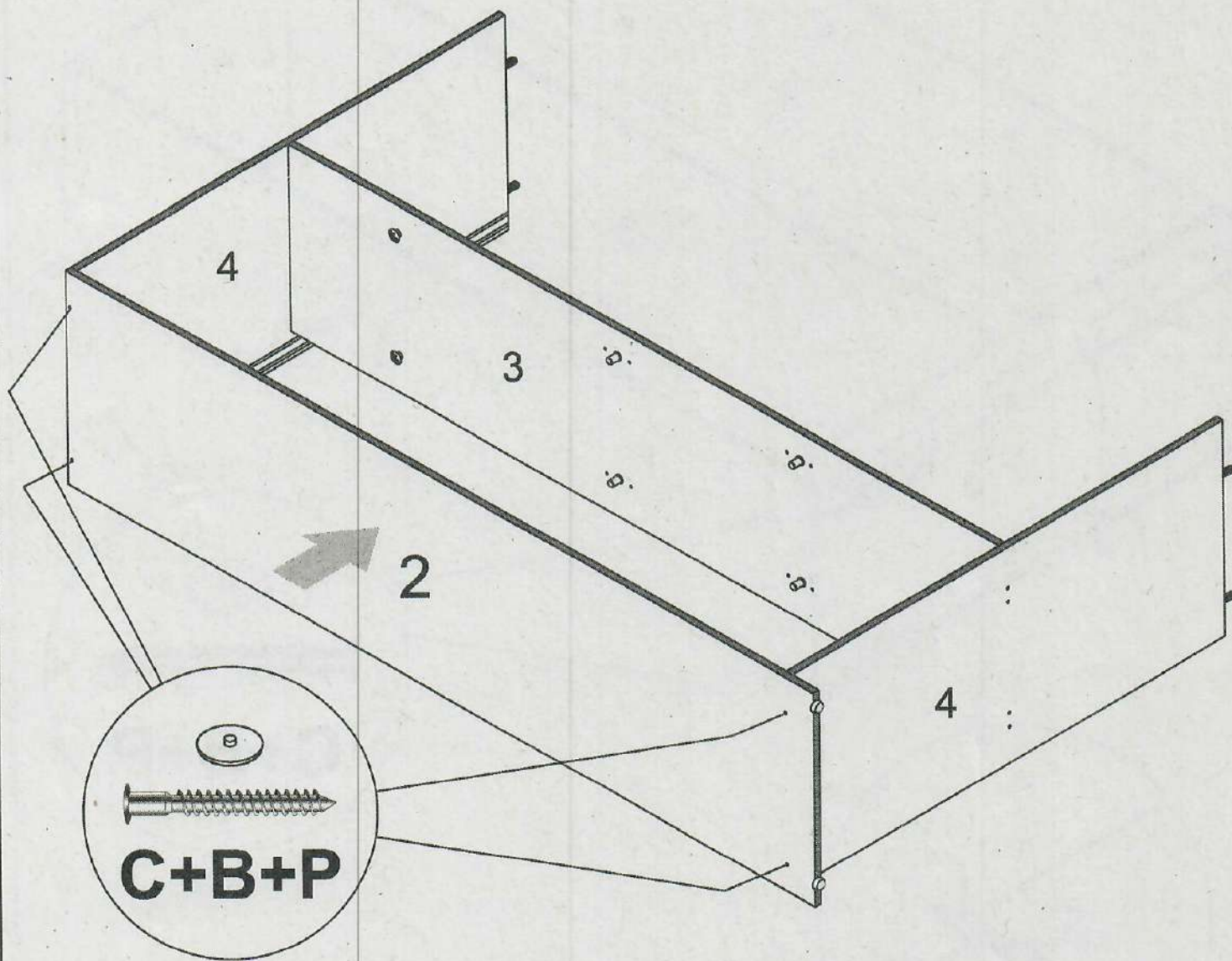


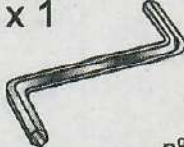


B x 1

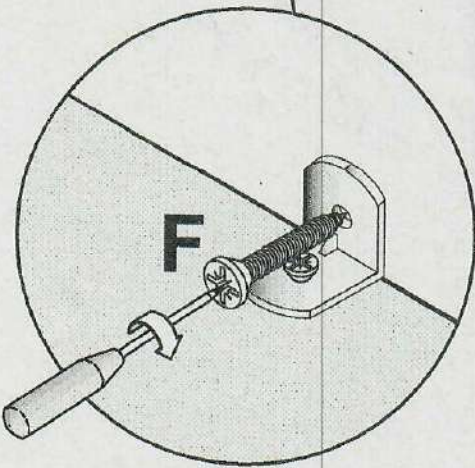
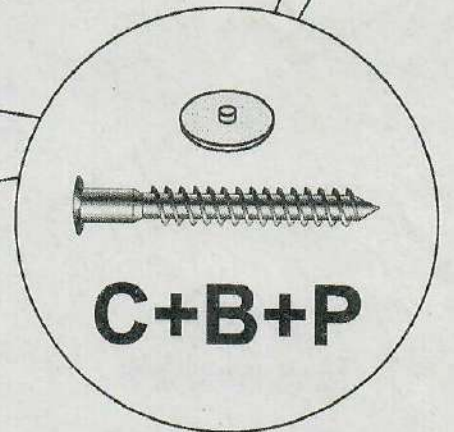
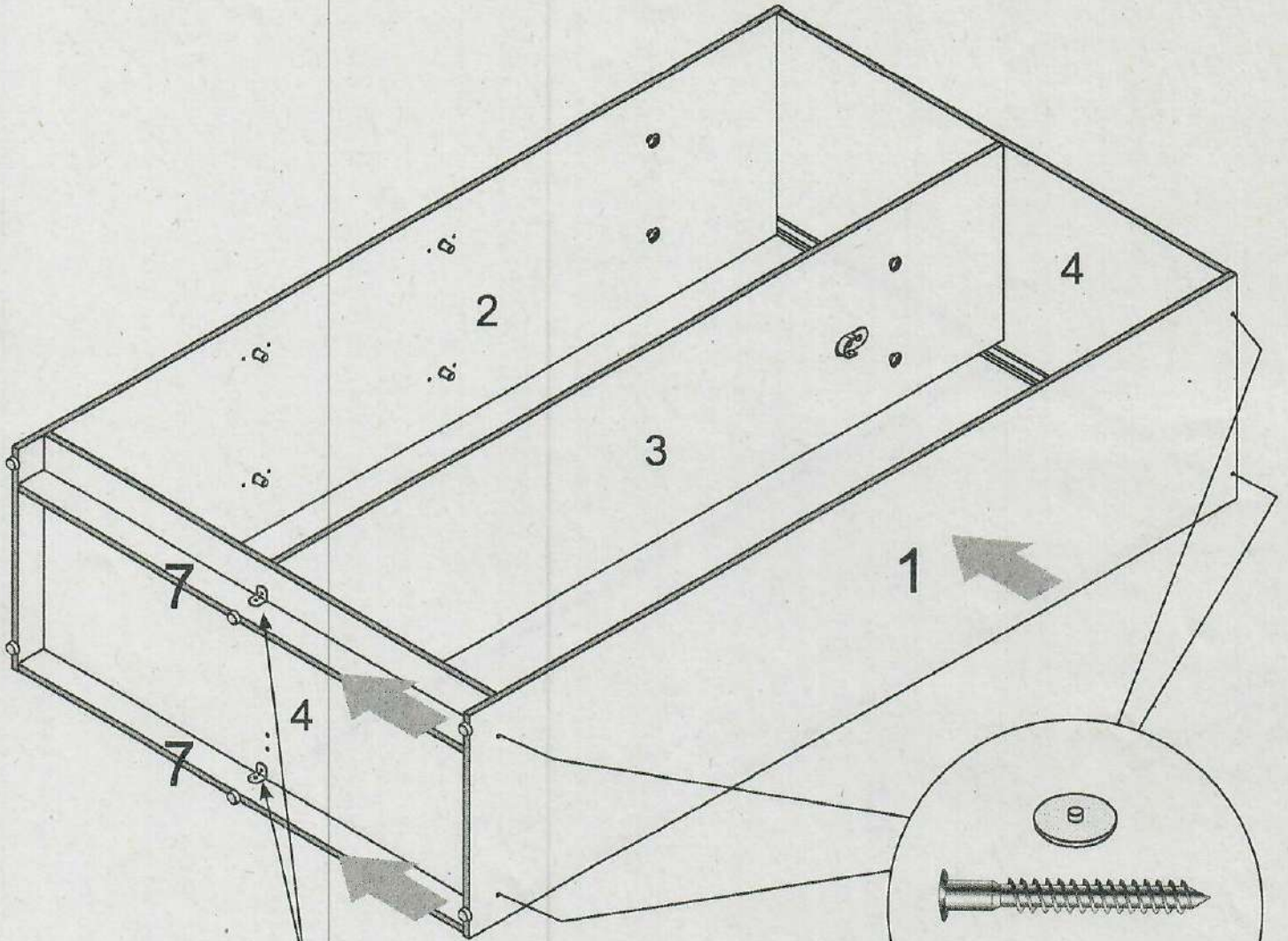
n° 3

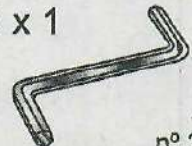


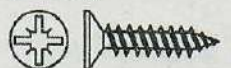
C x 4

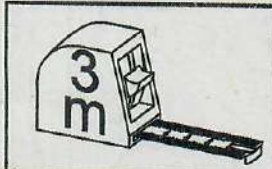
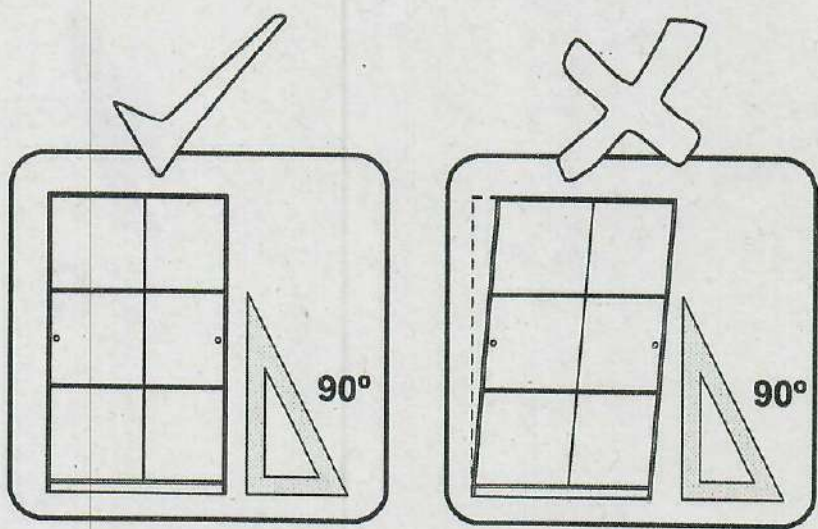
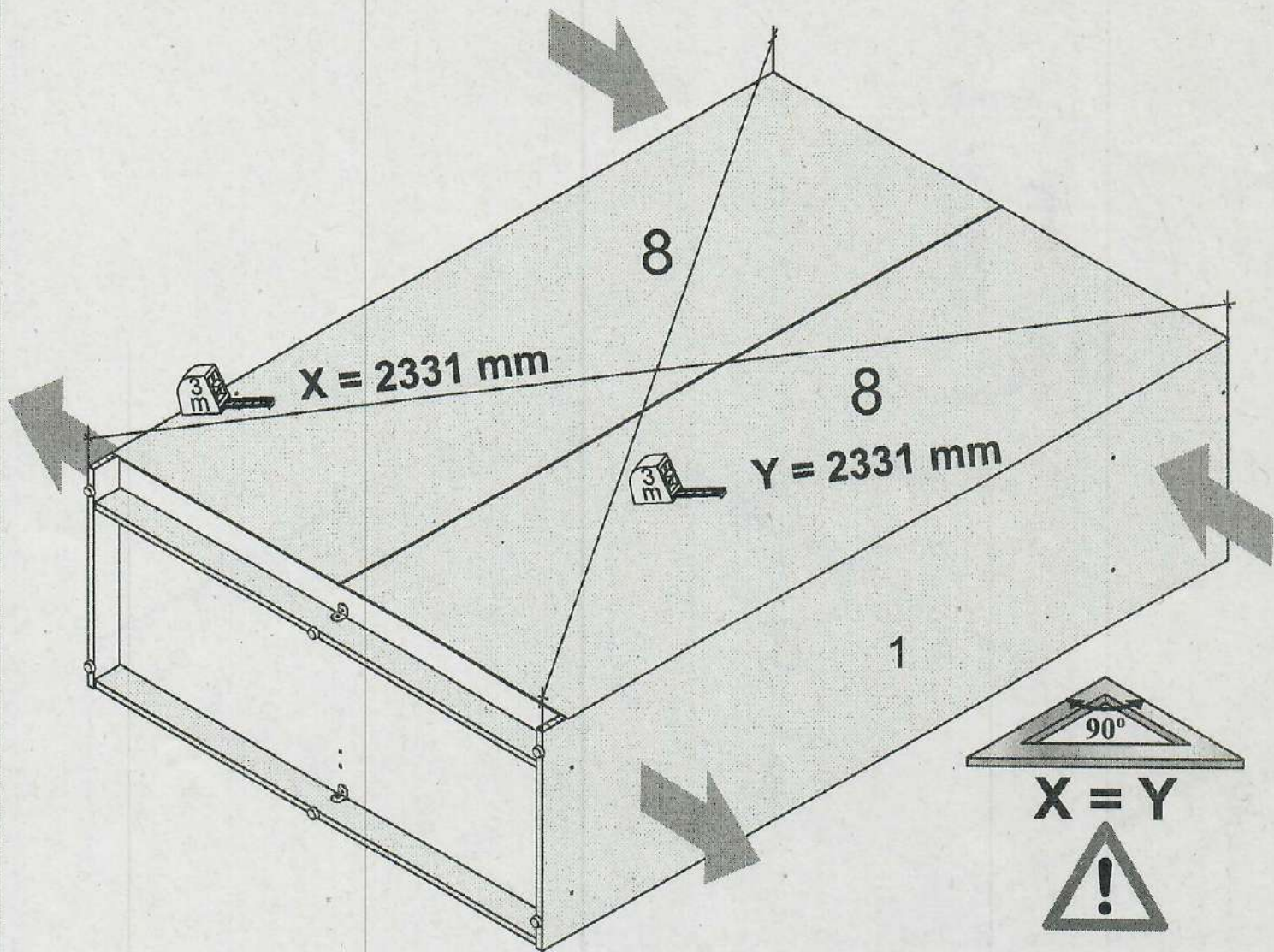
5 x 50 mm

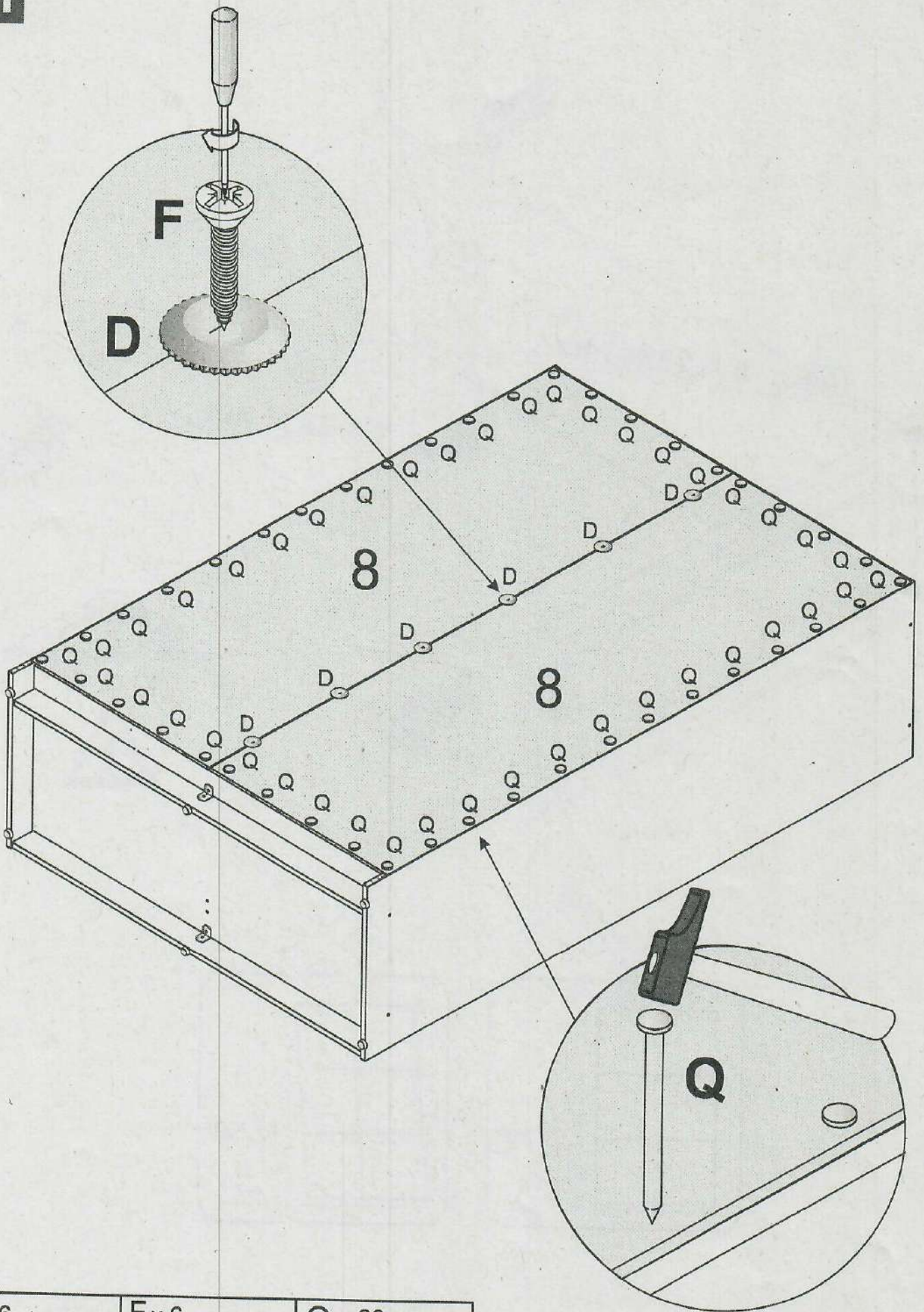


<b>B x 1</b>  n° 3	<b>C x 4</b>  5 x 50 mm	<b>P x 4</b>  3 mm
---	--	---



<p><b>B x 1</b></p>  <p>n° 3</p>	<p><b>C x 4</b></p>  <p>5 x 50 mm</p>	<p><b>P x 4</b></p>  <p>3 mm</p>	<p><b>F x 2</b></p>  <p>3,5 x 16 mm</p>
---	--	---	--





D x 6

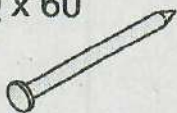


F x 6

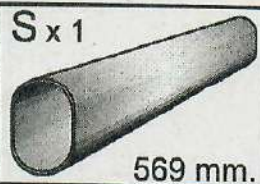
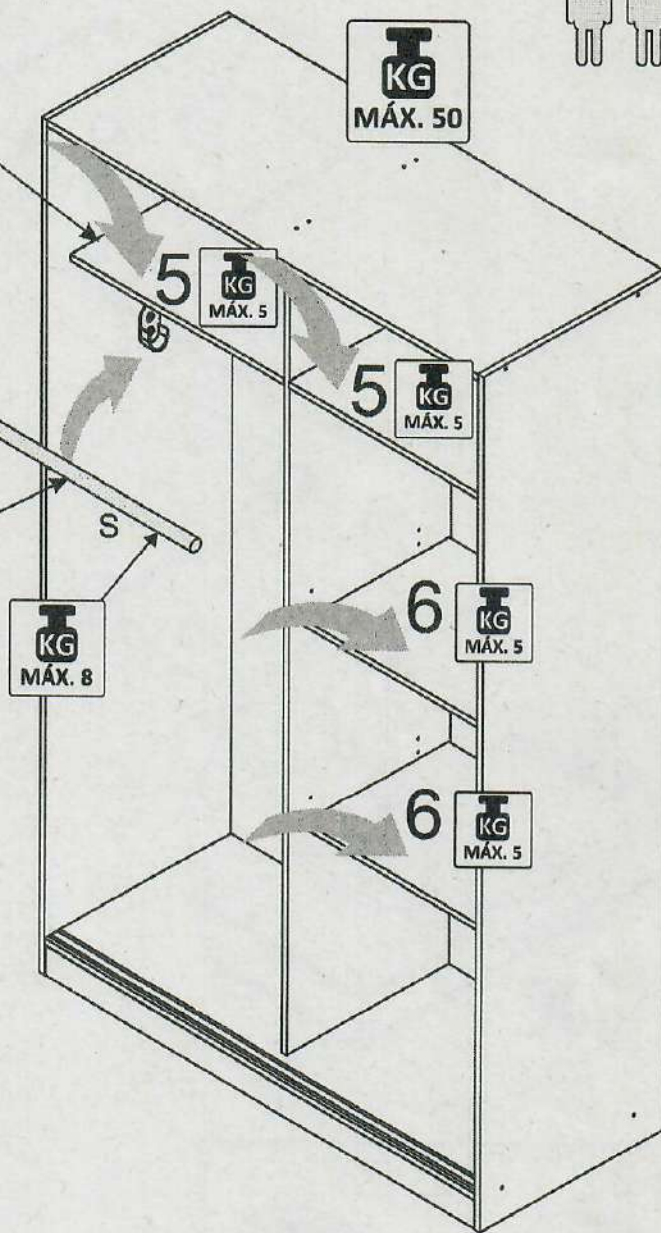
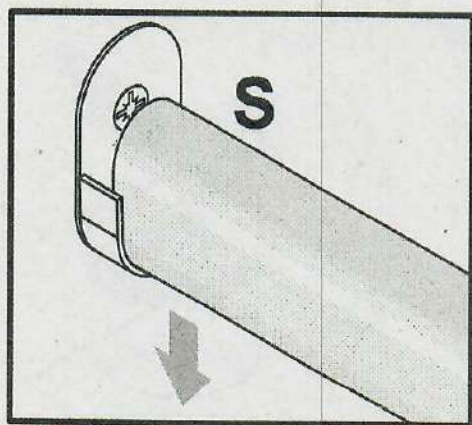
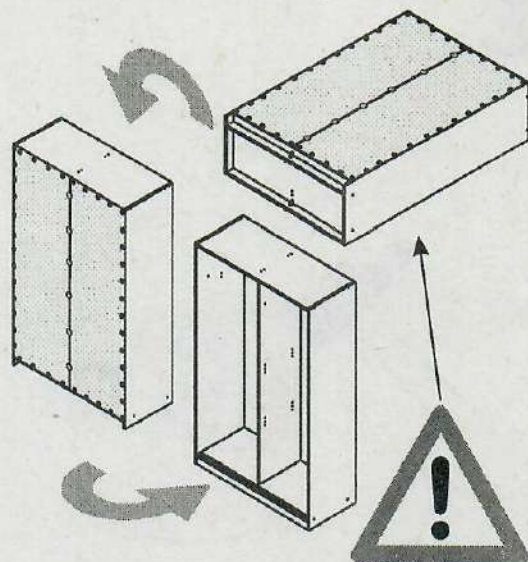
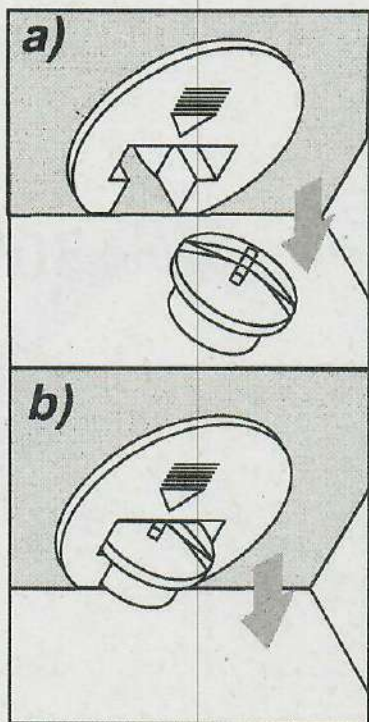


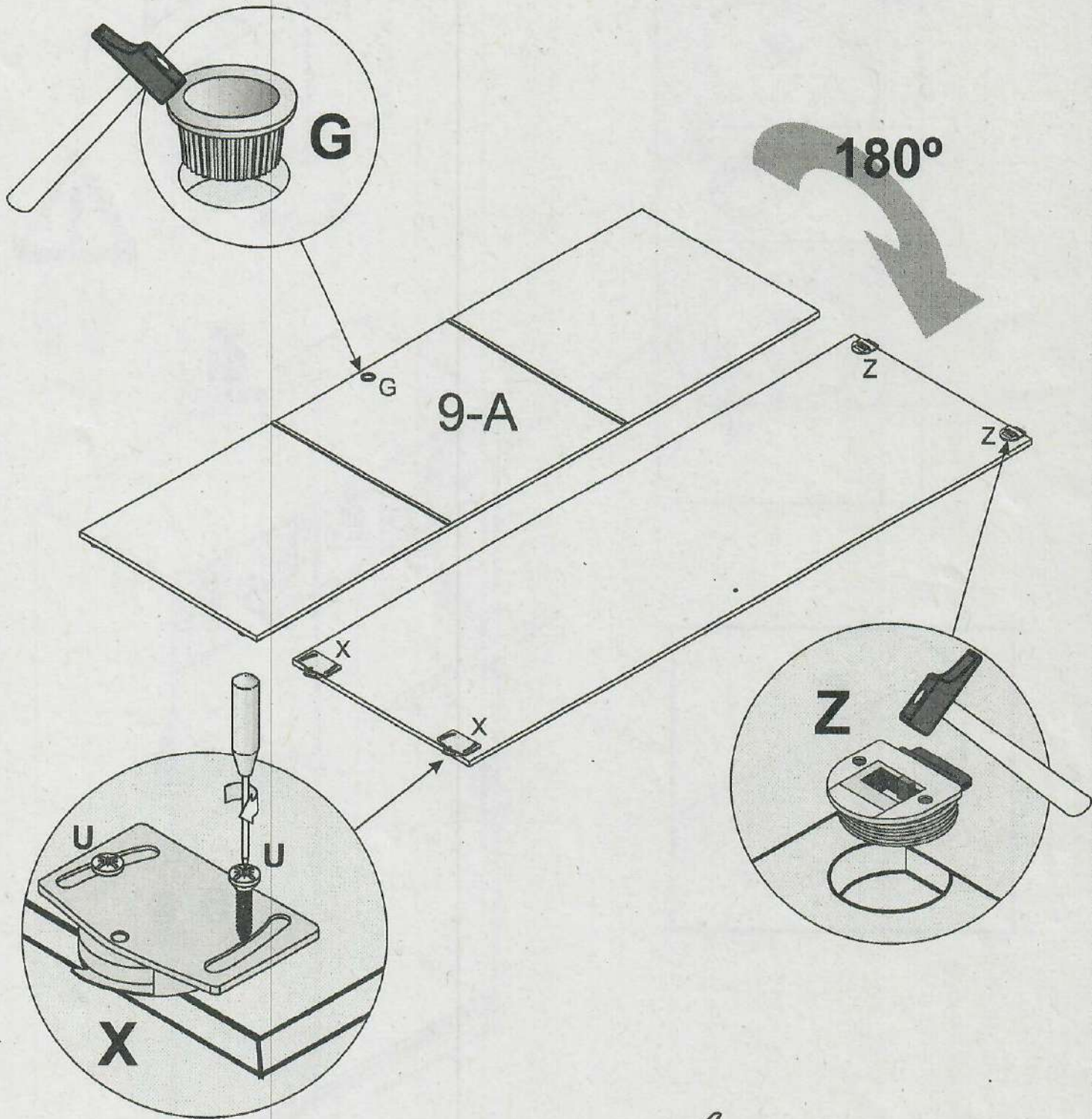
3,5 x 16 mm




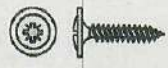
Q x 60

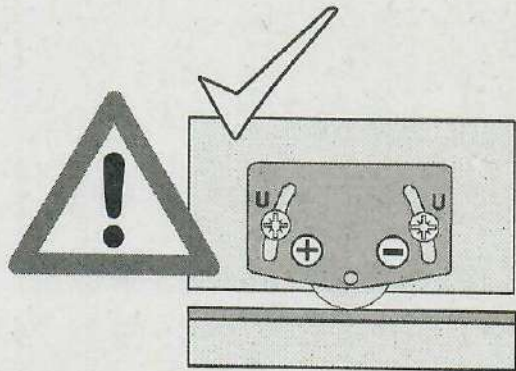


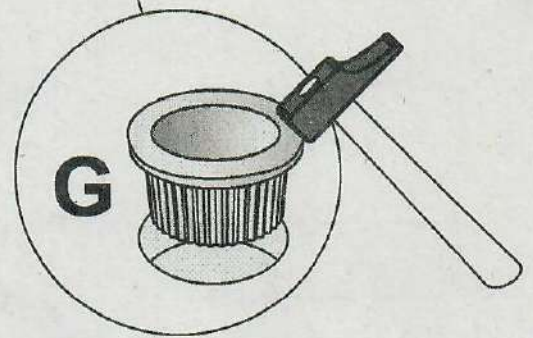
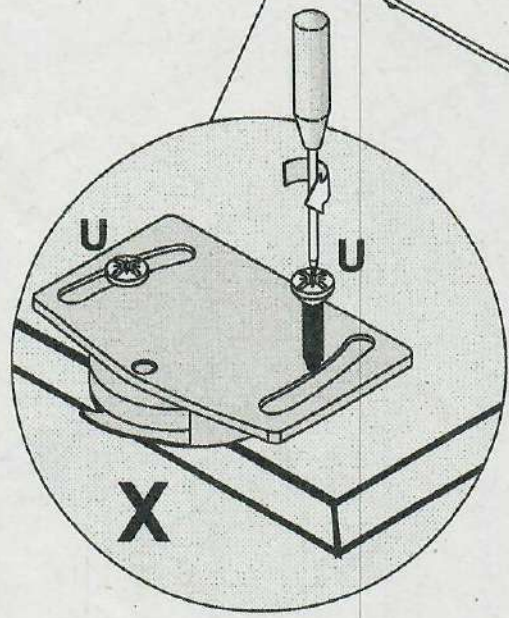
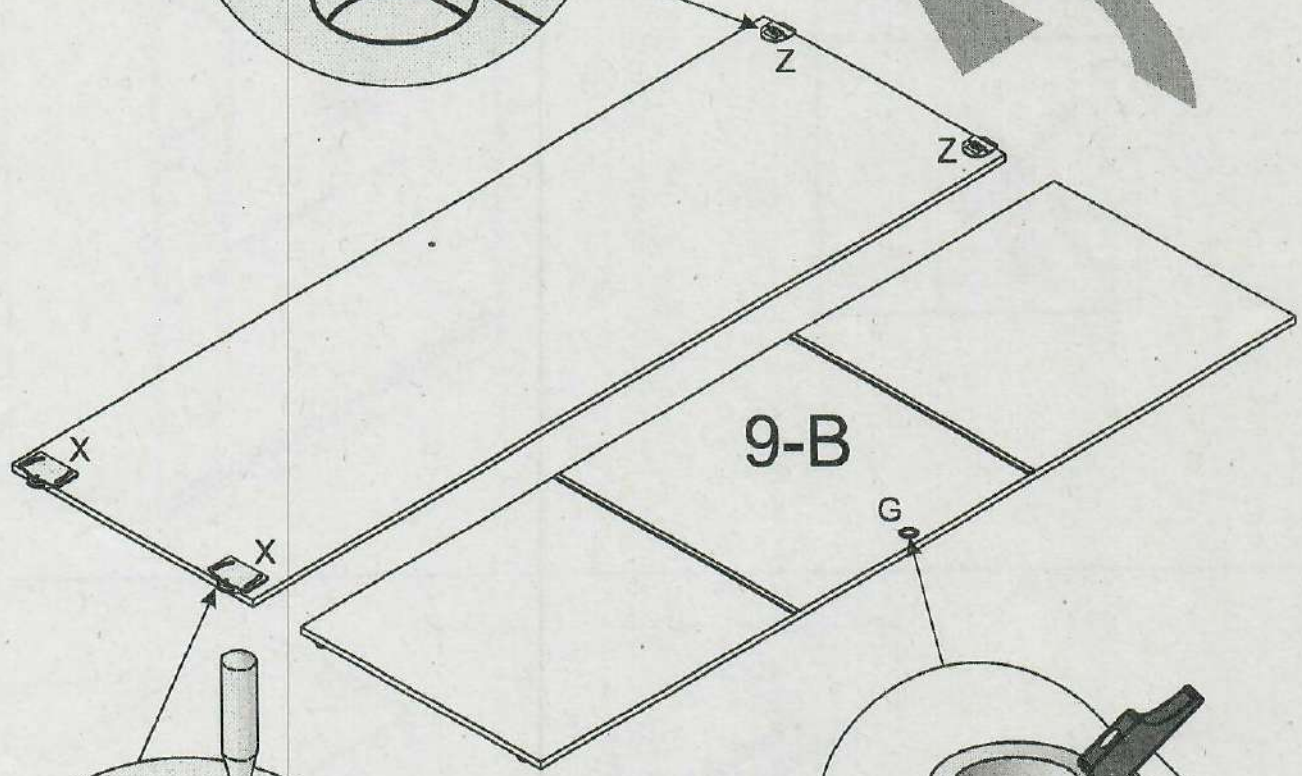
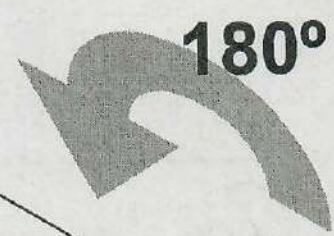
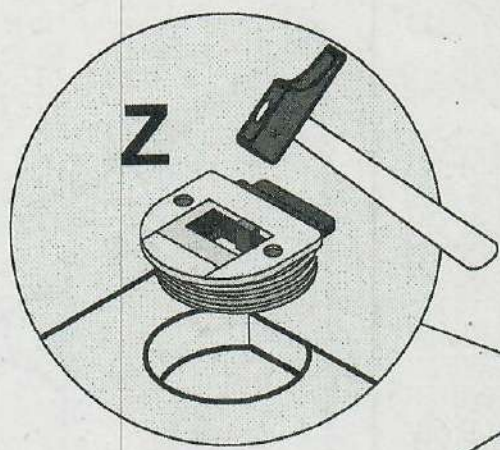
20 mm



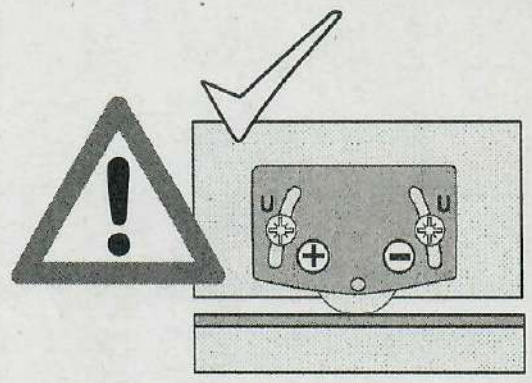


X x 2 	Z x 2 
G x 1 	U x 4  3 x 15 mm

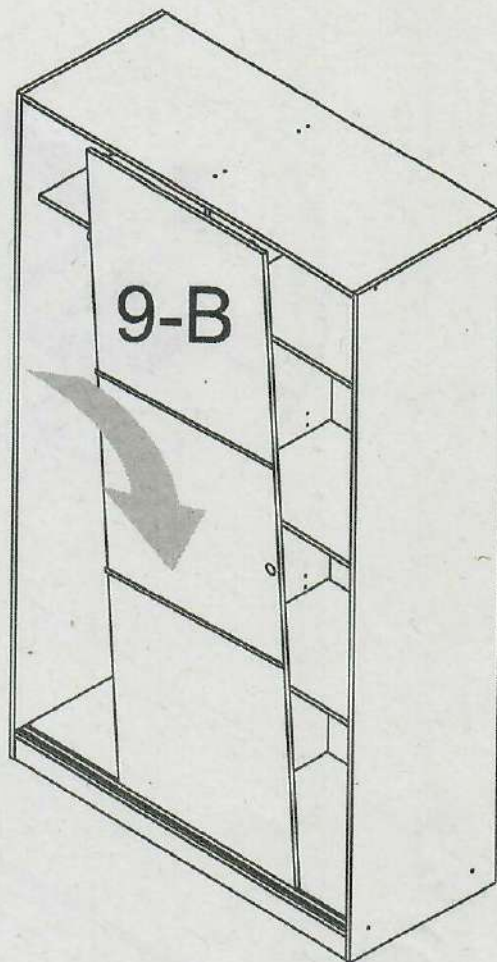
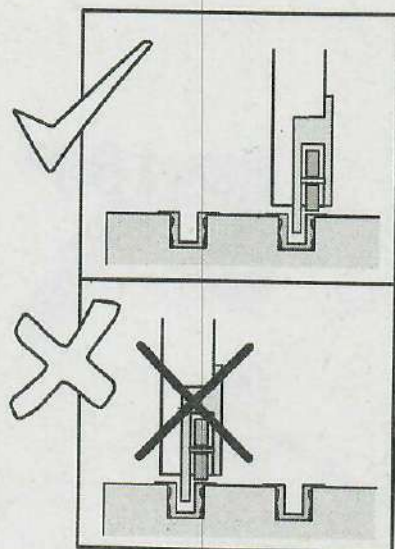




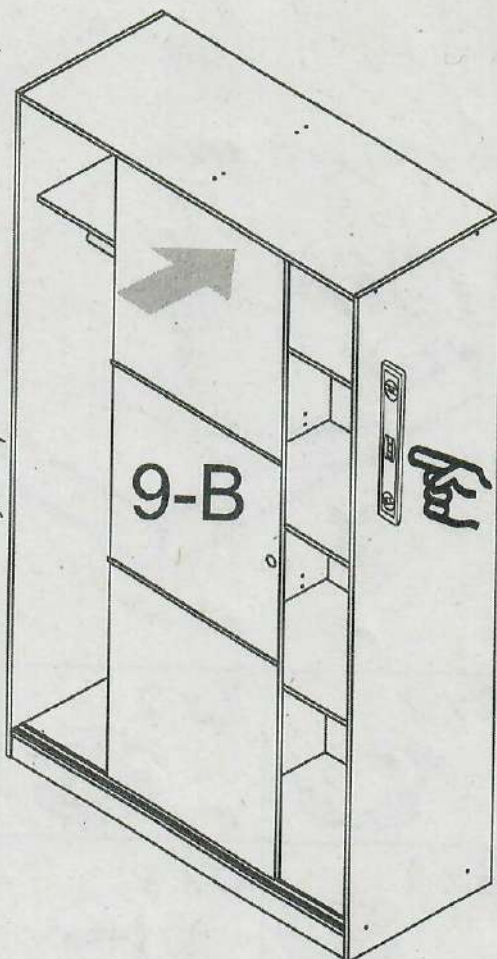
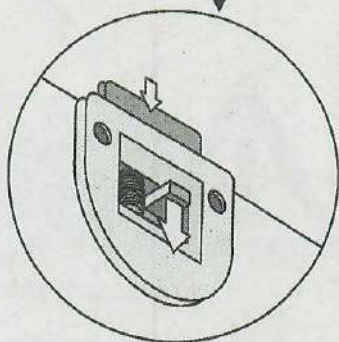
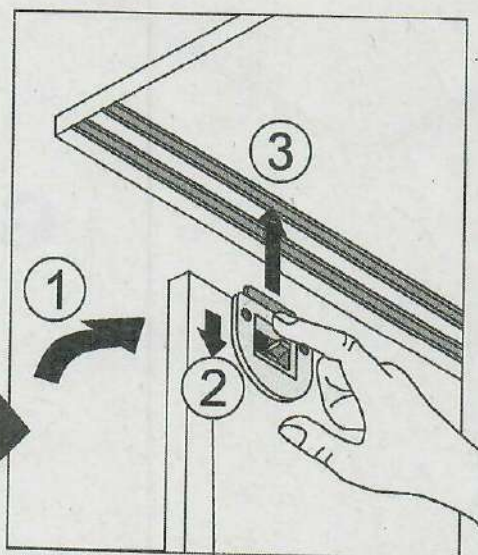
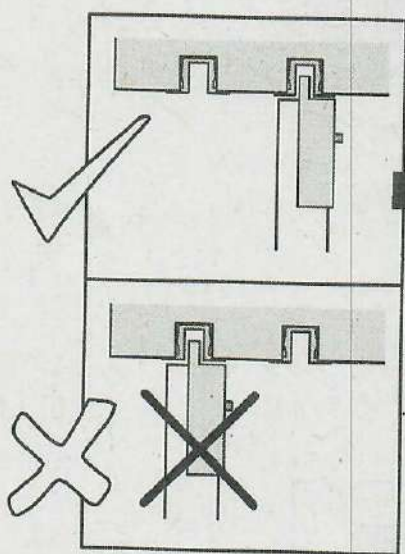
<p>X x 2</p>	<p>Z x 2</p>
<p>G x 1</p>	<p>U x 4</p> <p>3 x 15 mm</p>



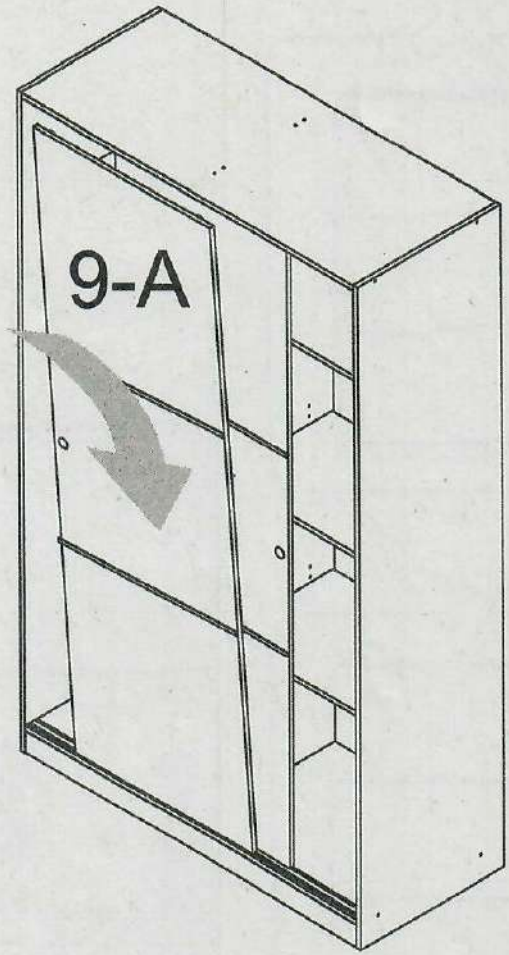
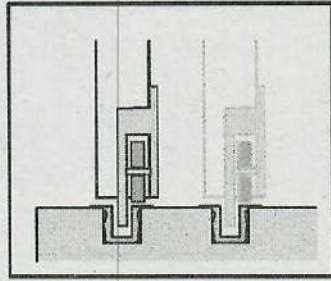
15



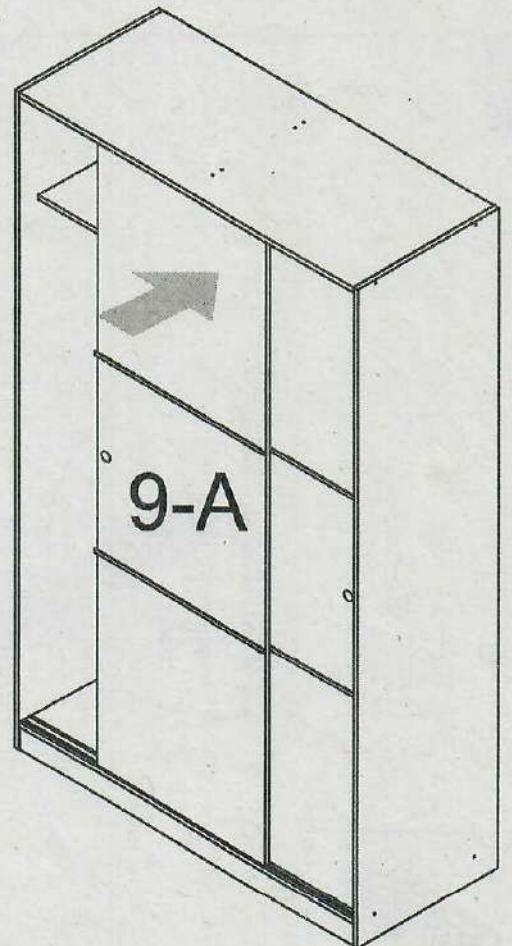
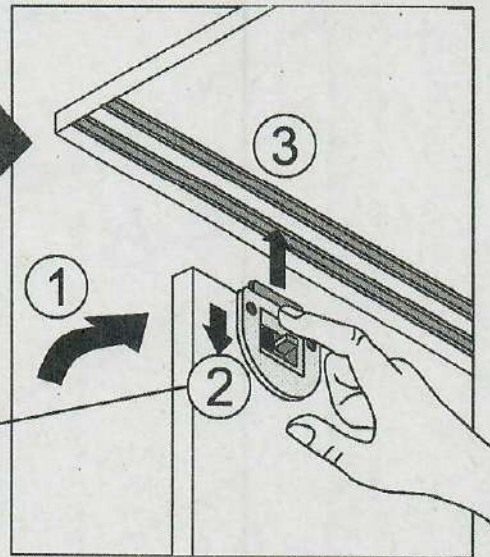
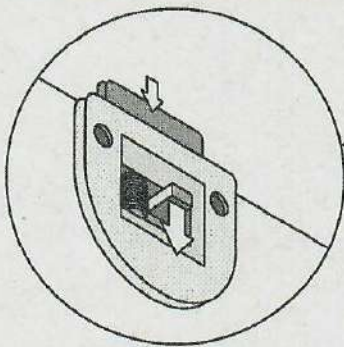
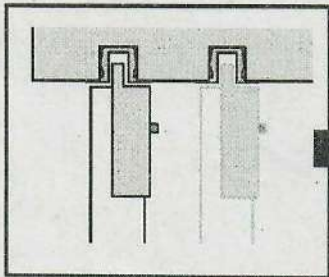
16



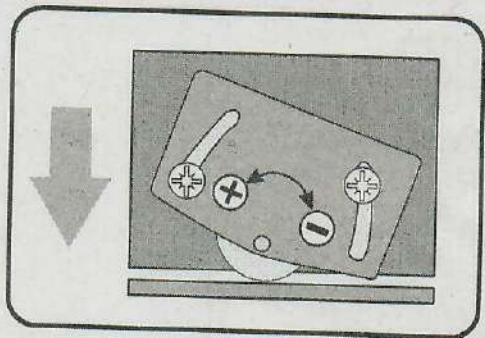
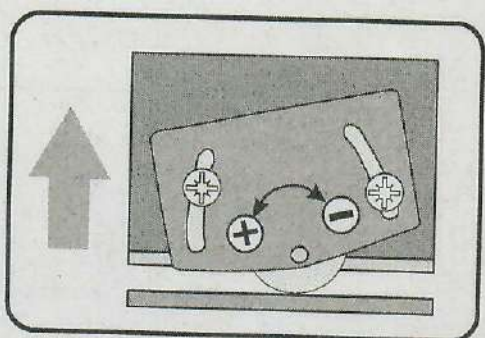
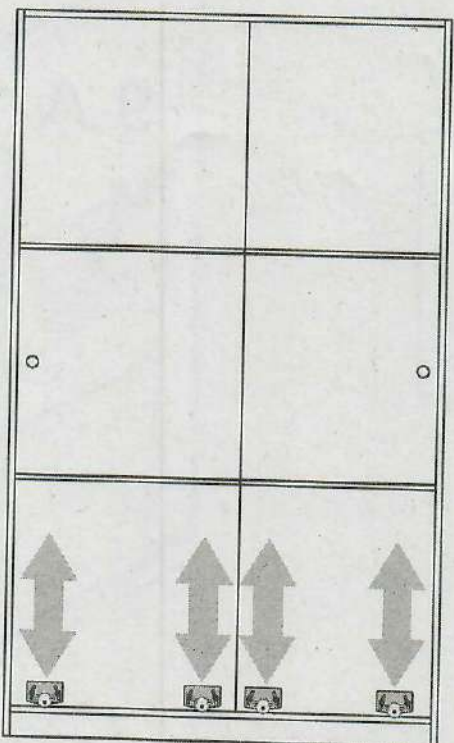
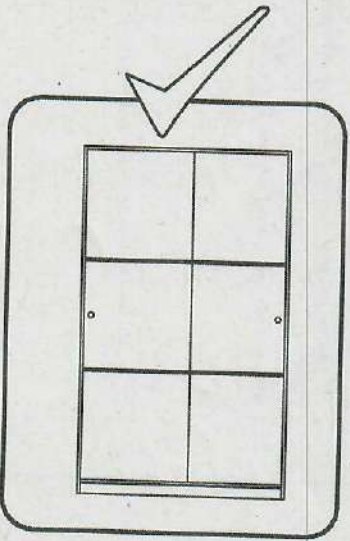
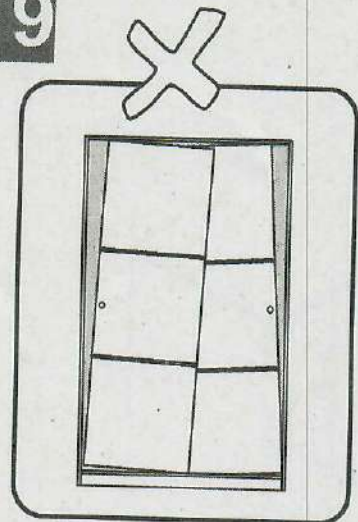
17



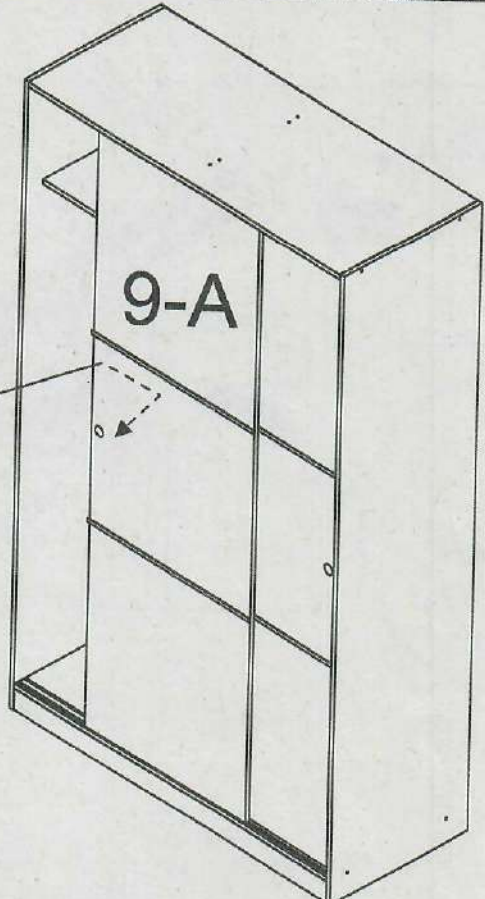
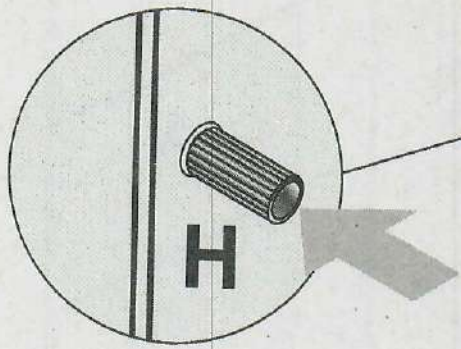
18



19



20



H x 1

