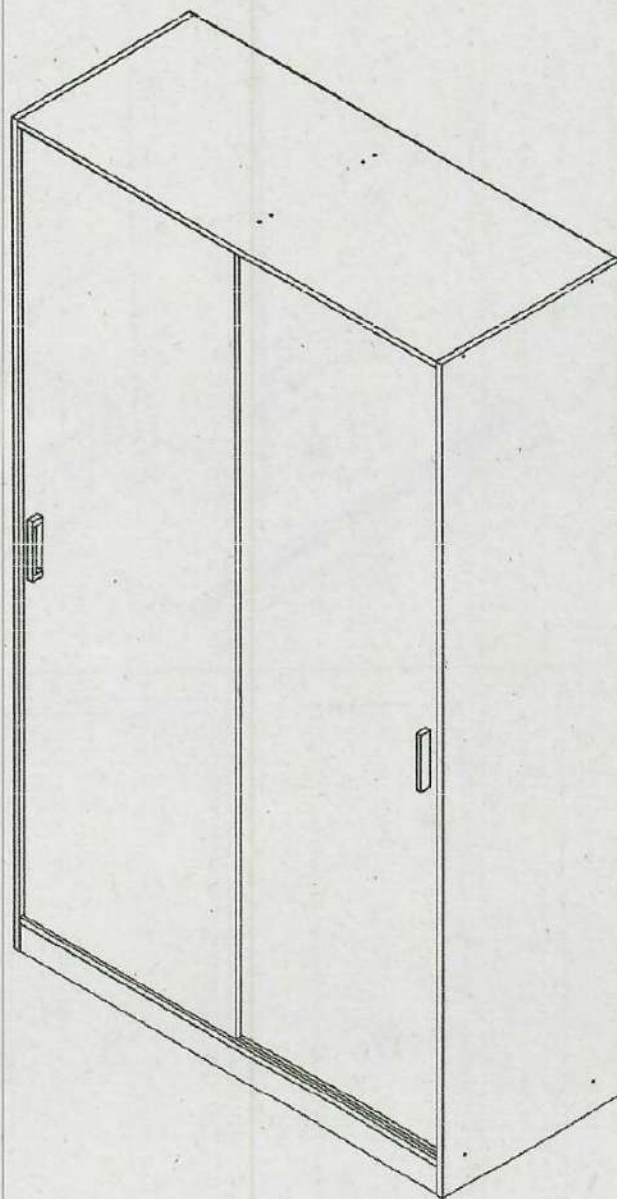
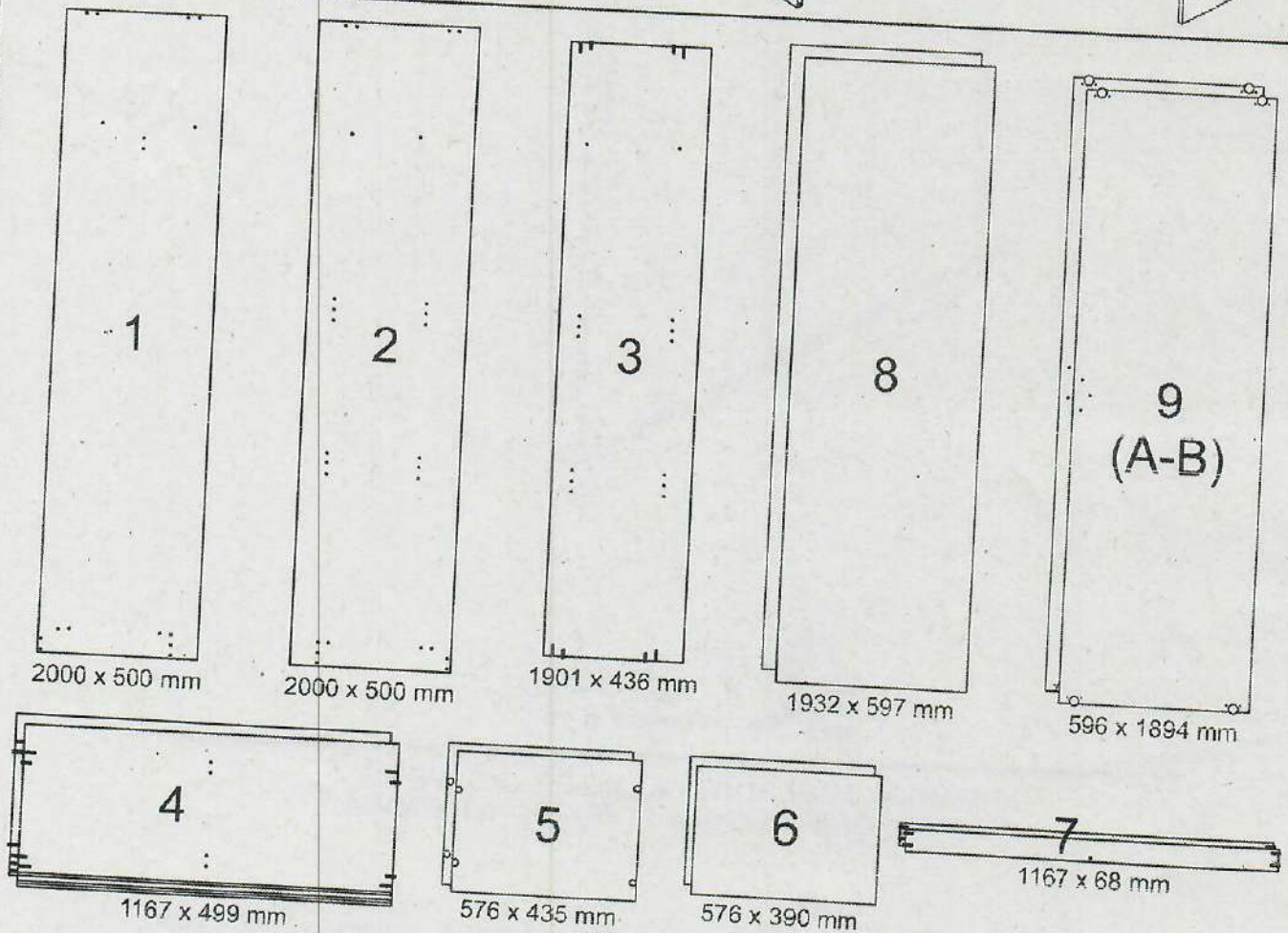
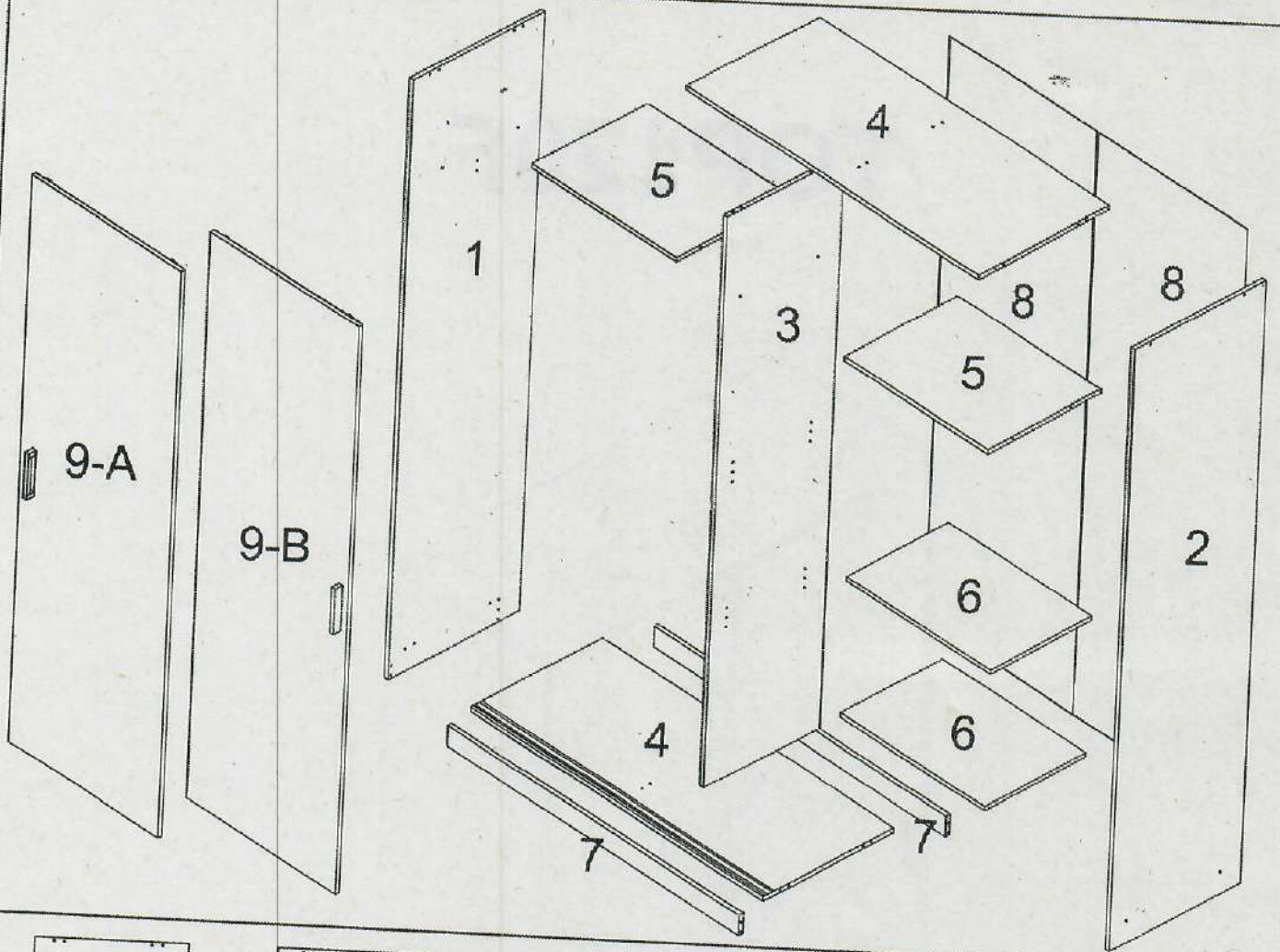
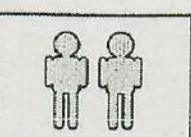
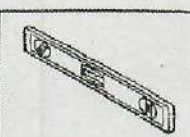
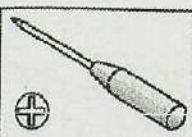
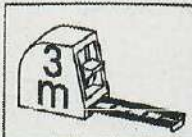


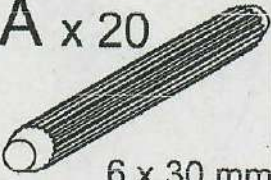
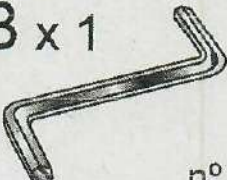

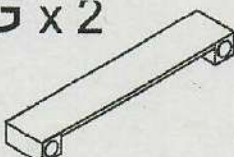
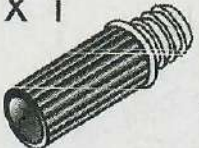

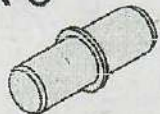


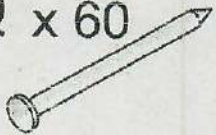

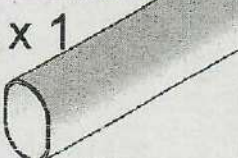

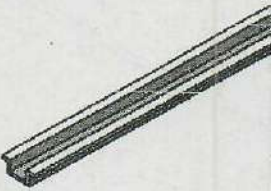
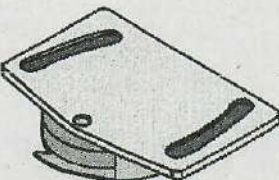

TOP120F















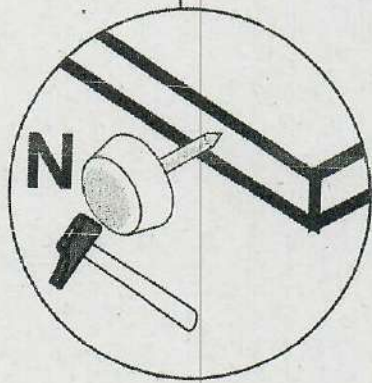
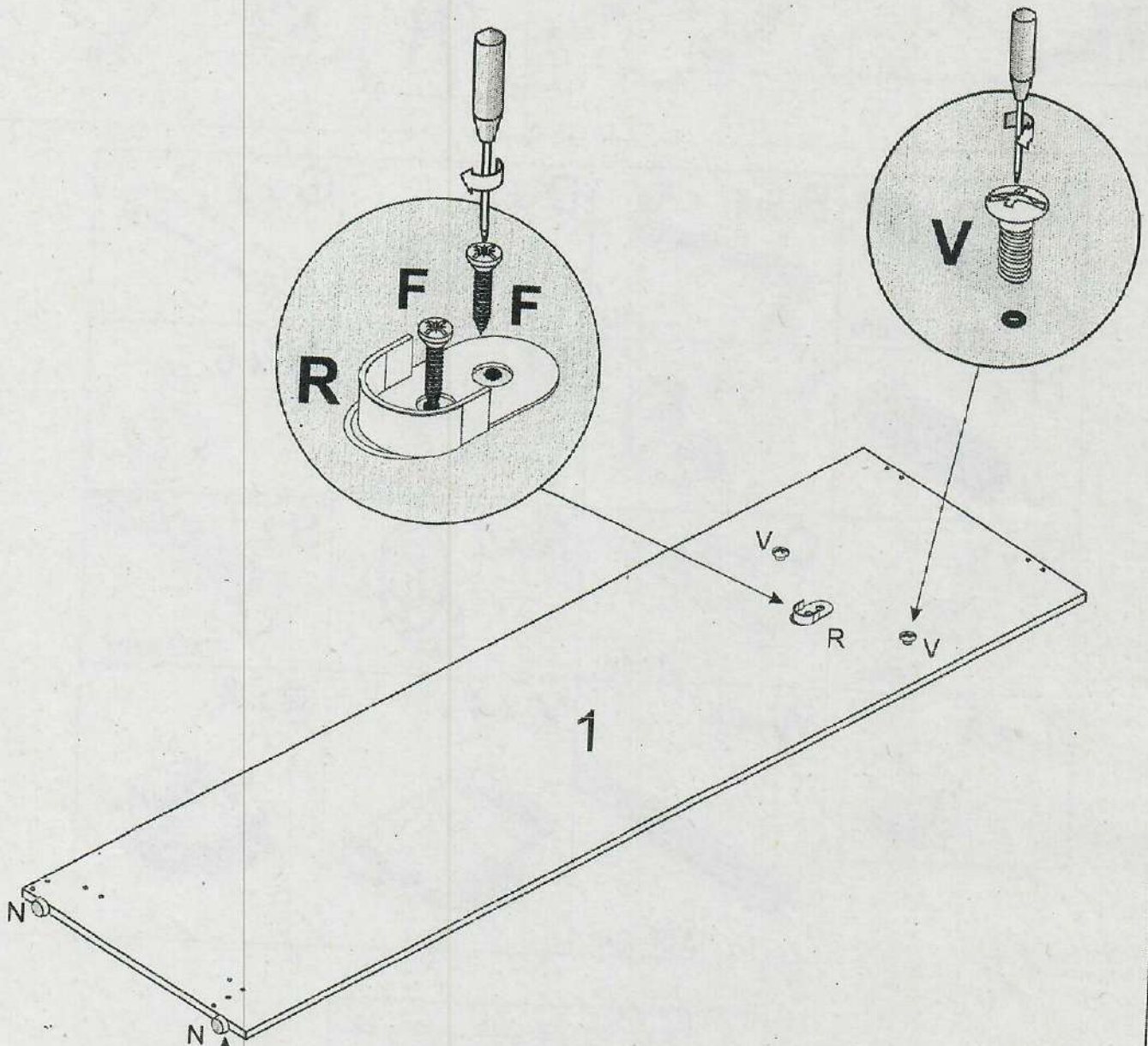





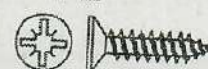
2 h.

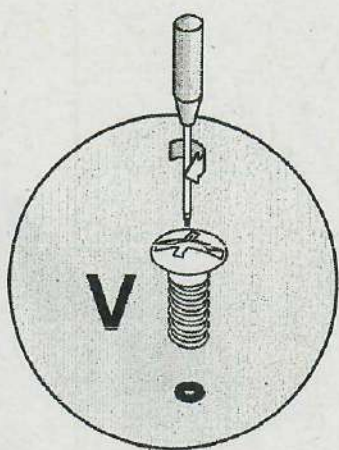
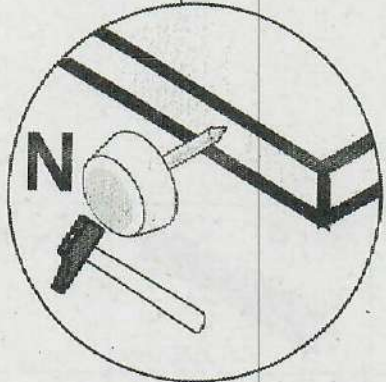
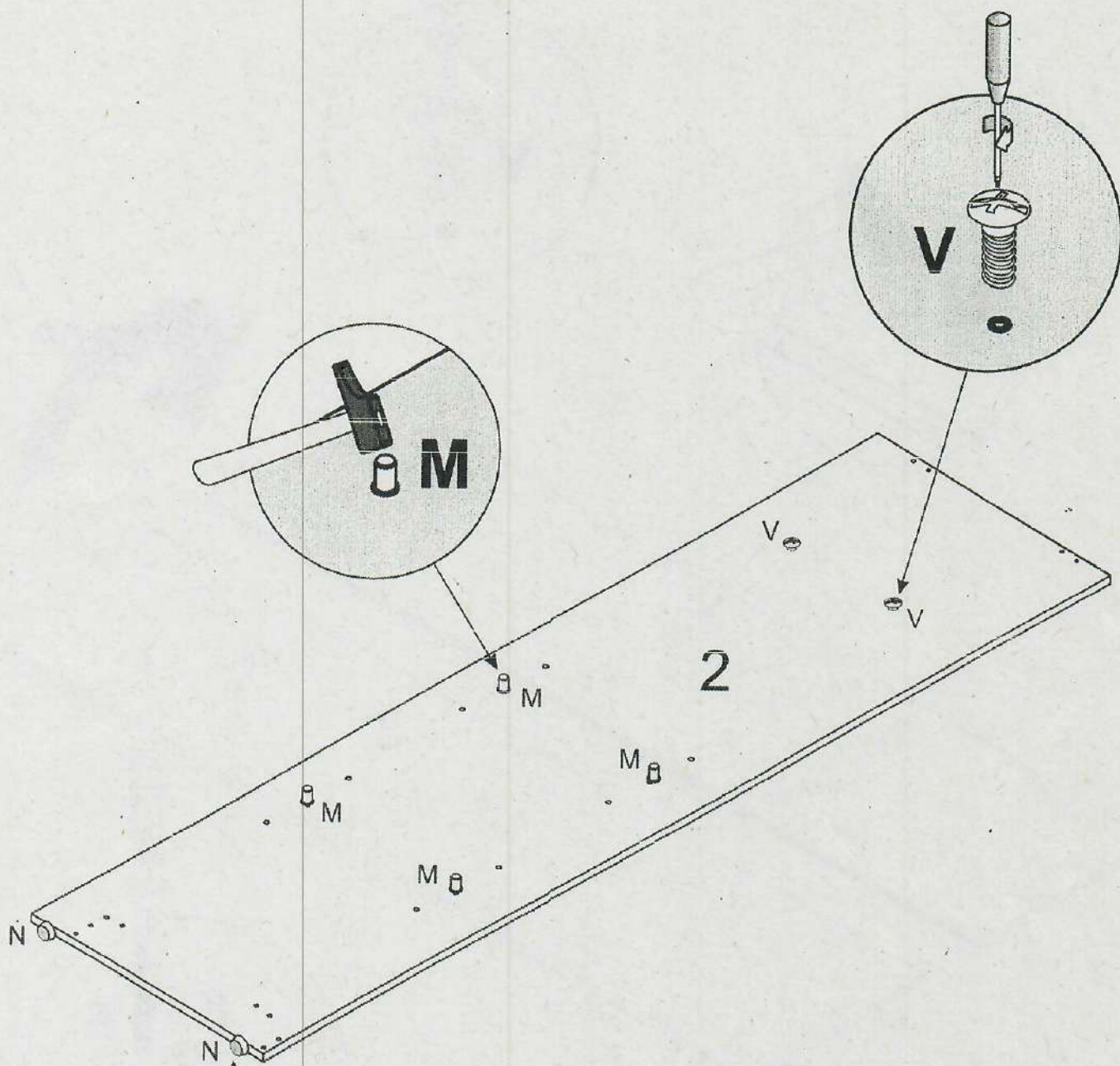
<p>A x 20</p>  <p>6 x 30 mm</p>	<p>B x 1</p>  <p>n° 3</p>	<p>D x 6</p> 	<p>G x 2</p> 
<p>H x 1</p> 	<p>L x 2</p> 	<p>M x 8</p>  <p>5 mm.</p>	<p>N x 6</p> 
<p>P x 8</p>  <p>3 mm</p>	<p>Q x 60</p>  <p>20 mm</p>	<p>R x 2</p> 	<p>S x 1</p>  <p>569 mm.</p>
<p>T x 8</p> 	<p>W x 4</p>  <p>1166 mm</p>	<p>X x 4</p> 	<p>Z x 4</p> 

	0	1 cm.	2	3	4	5
	C x 12					
						
	5 x 50 mm					
	F x 14					
						
	3,5 x 16 mm					
	U x 8					
						
	3 x 15 mm					
	V x 8					
						
	M8 x 13 mm					
	Y x 4					
						
	3,5 x 27 mm					

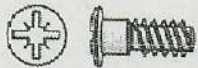
1



V x 2  M8 x 13 mm	R x 1 
N x 2 	F x 2  3,5 x 16 mm




V x 2

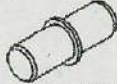


M8 x 13 mm

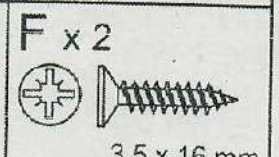
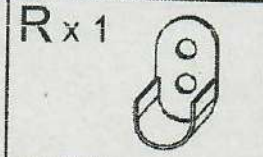
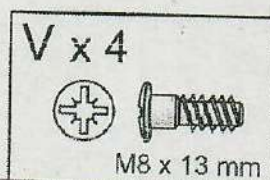
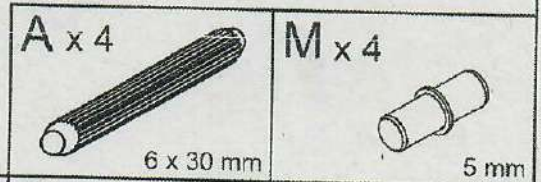
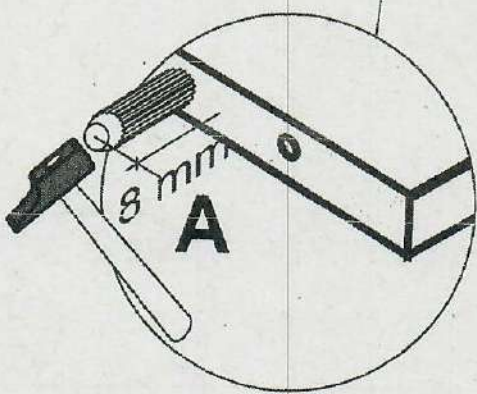
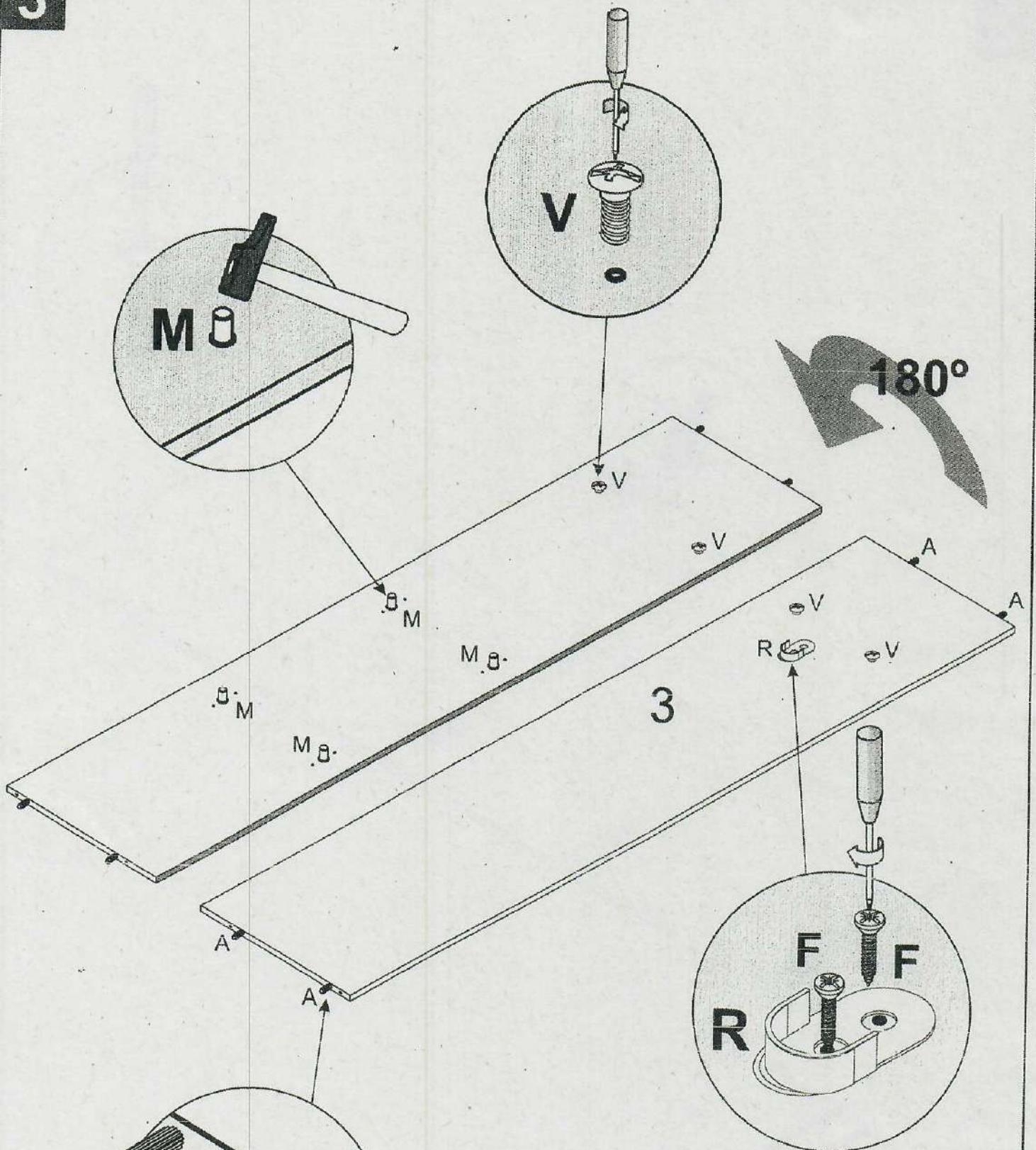
N x 2



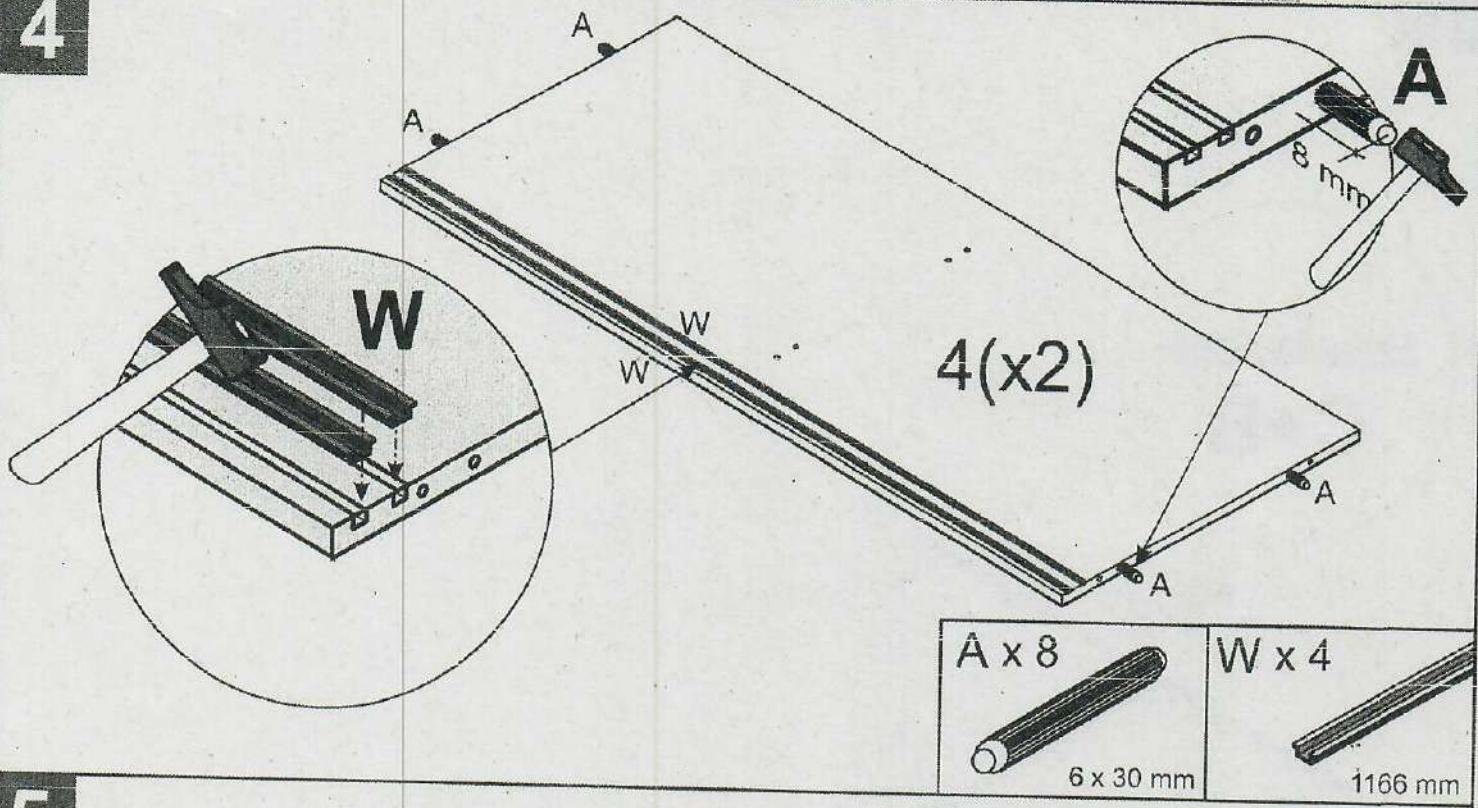
M x 4



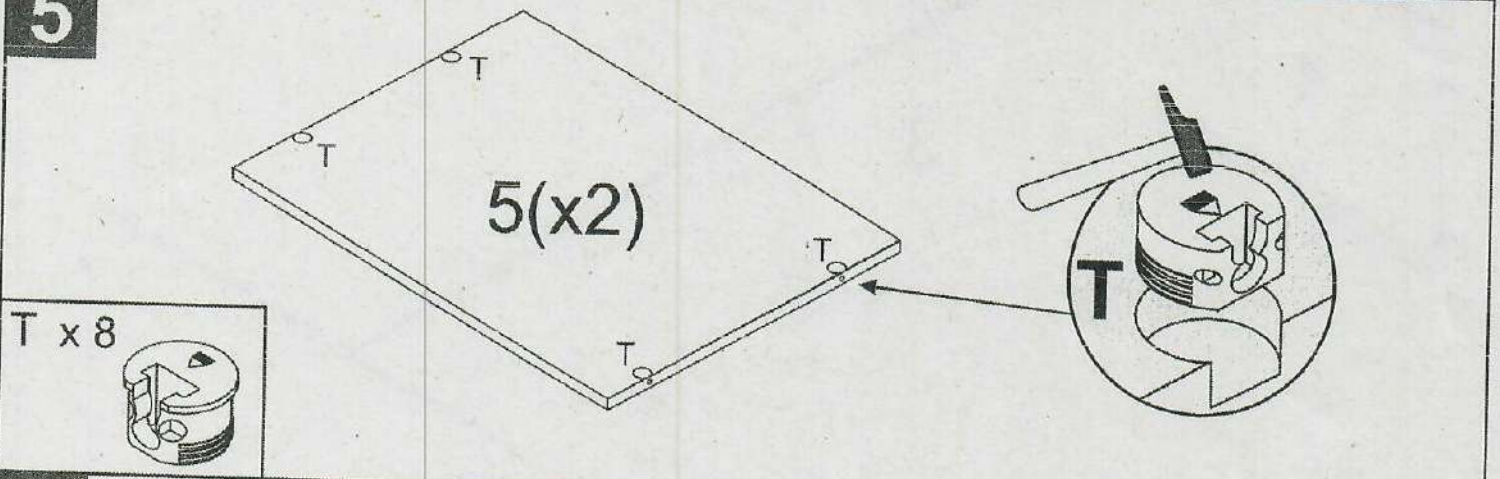
5 mm



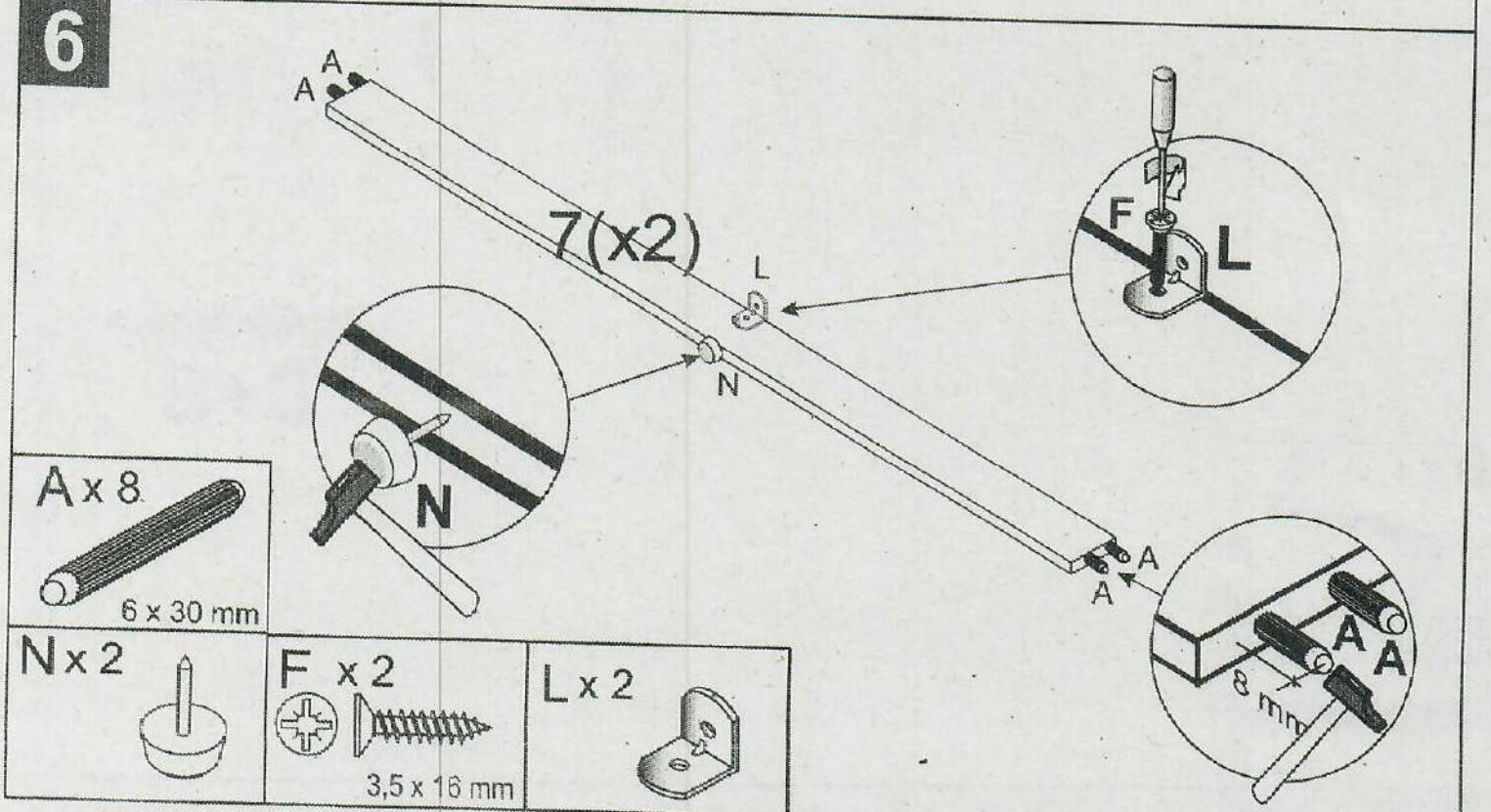
4



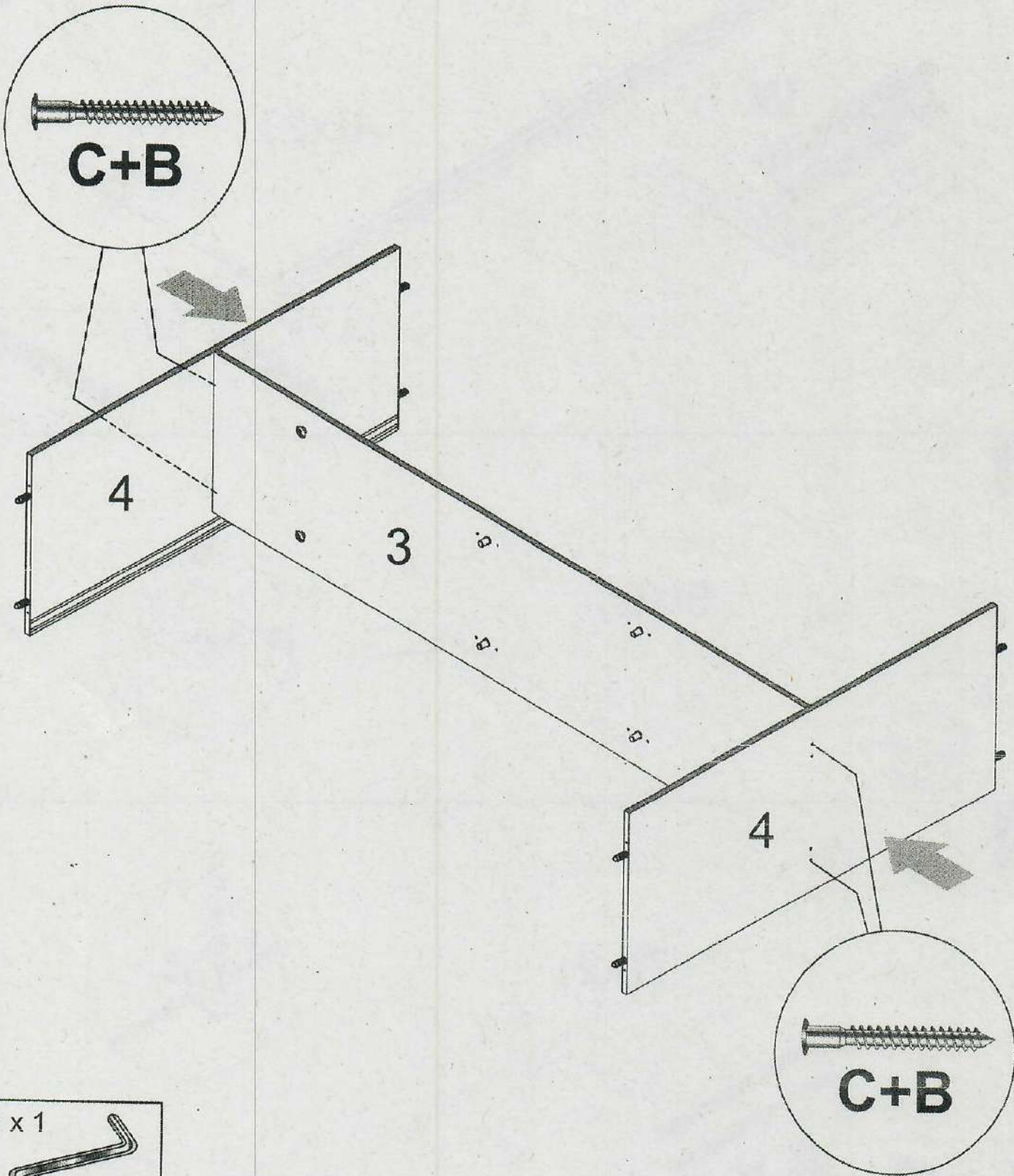
5

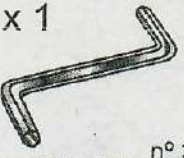



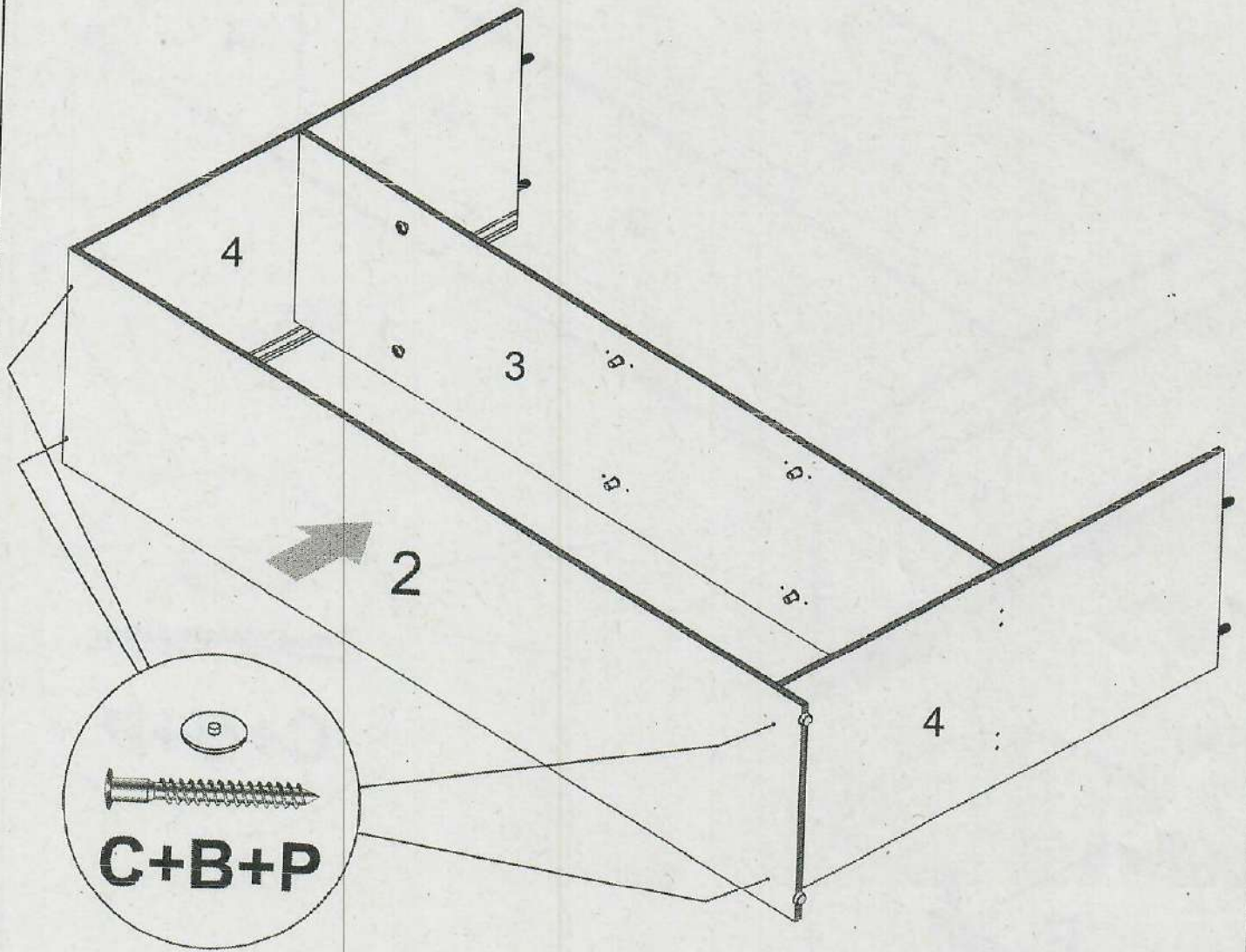
6

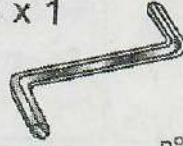




7

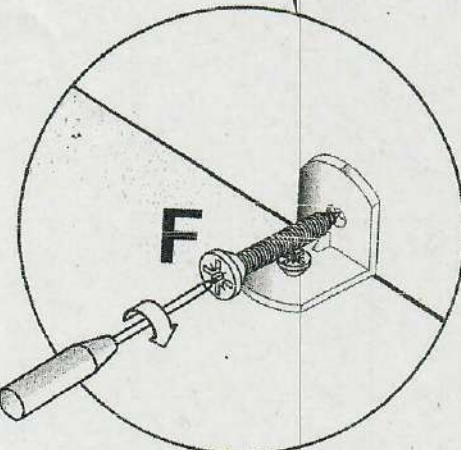
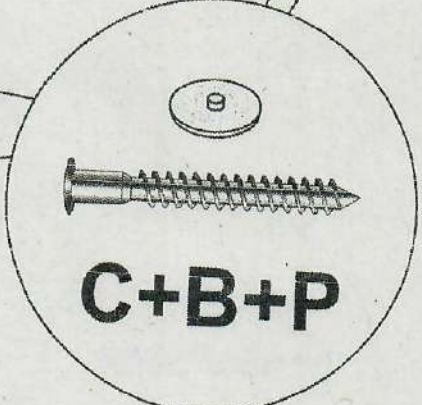
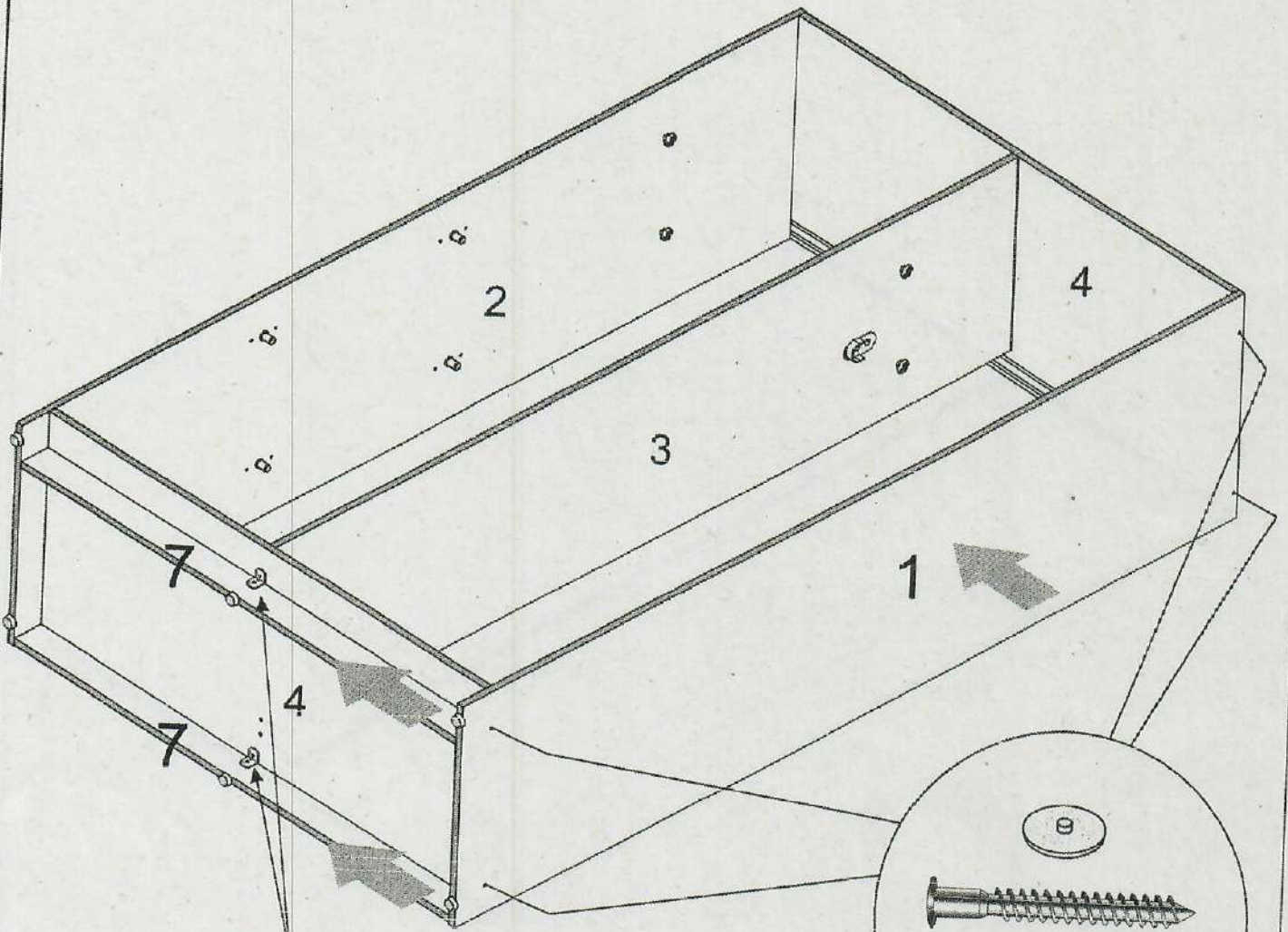


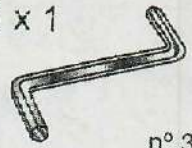



B x 1	
	n° 3
C x 4	
	5 x 50 mm

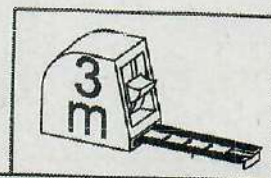
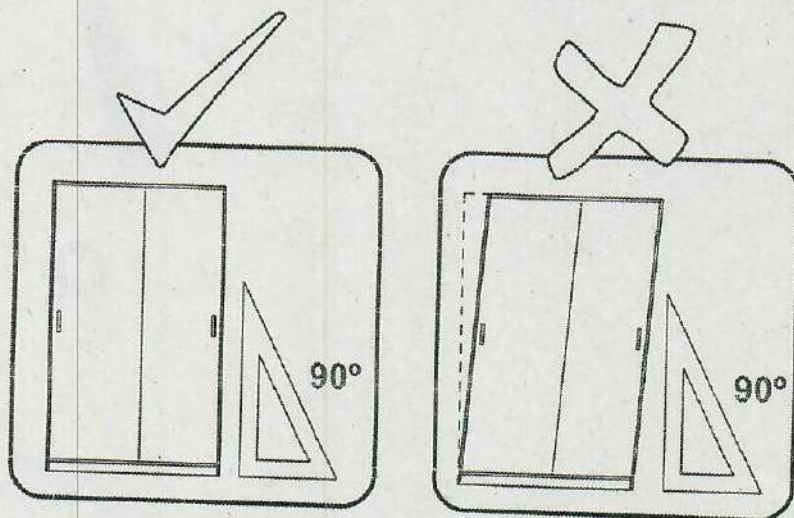
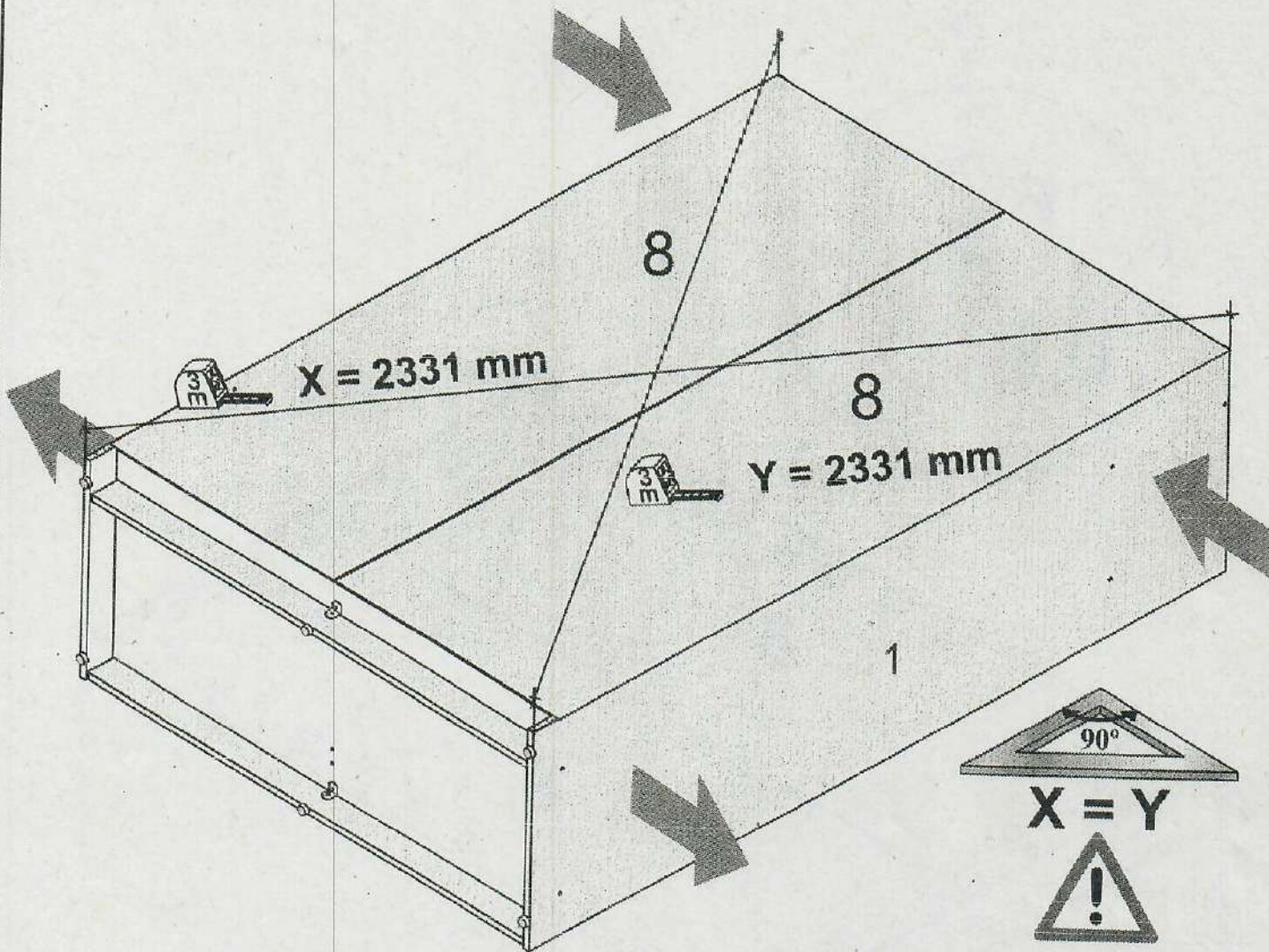


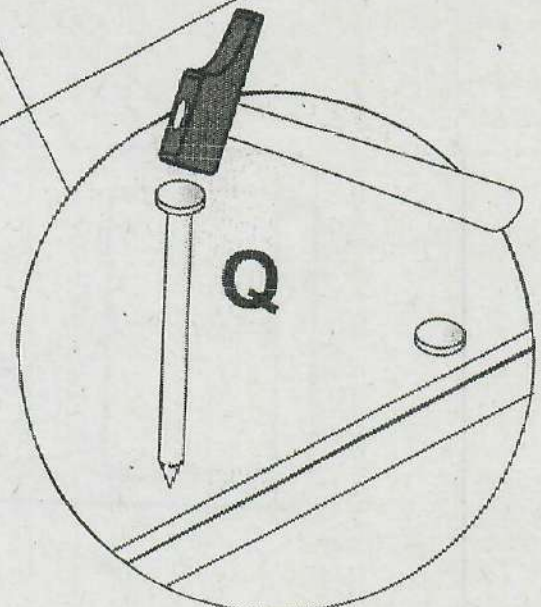
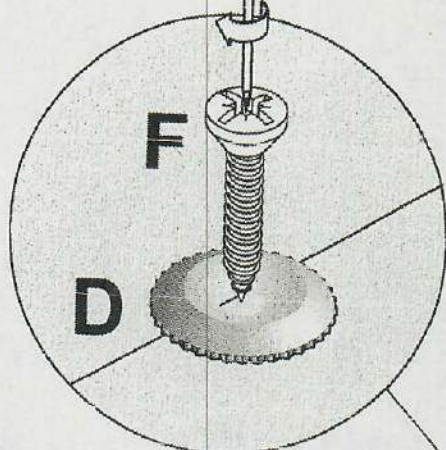
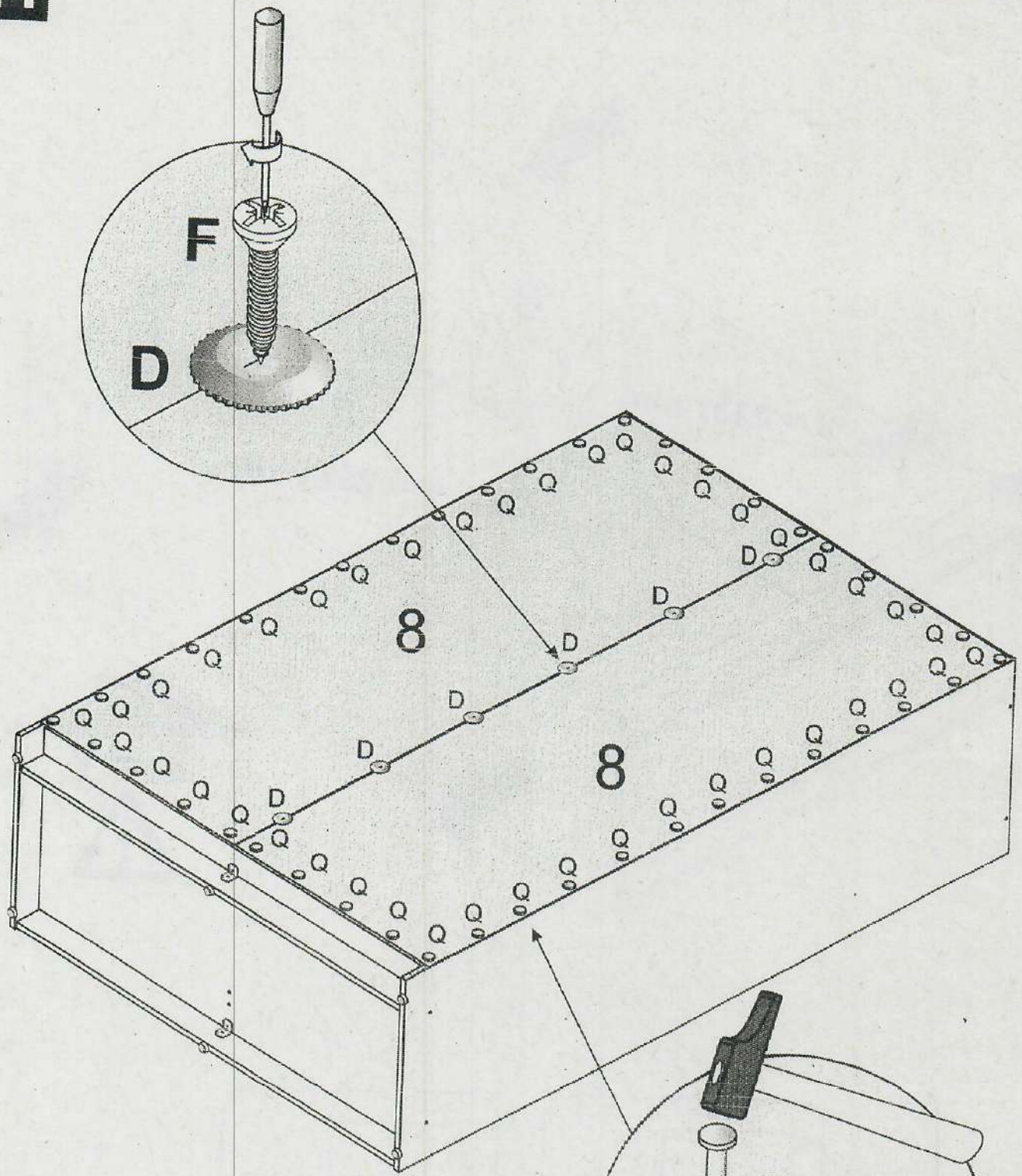
<p>B x 1</p>  <p>n° 3</p>	<p>C x 4</p>  <p>5 x 50 mm</p>	<p>P x 4</p>  <p>3 mm</p>
---	--	---


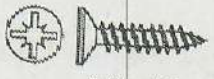
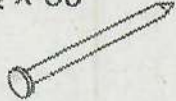
9

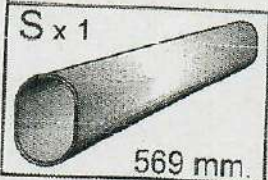
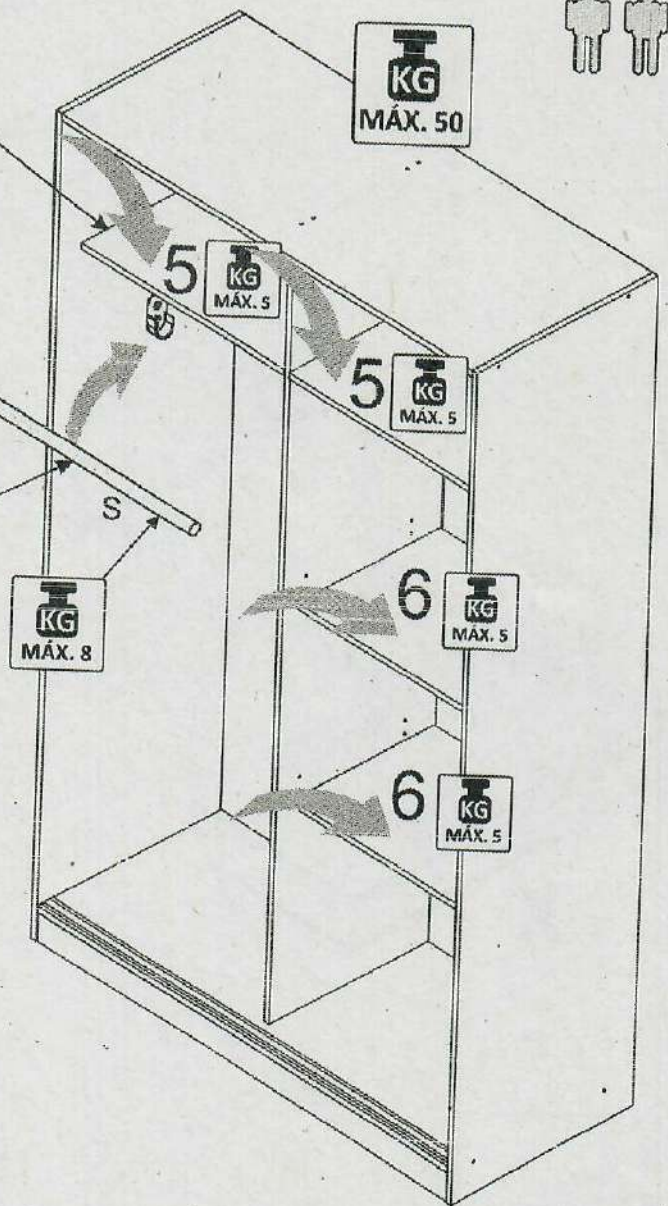
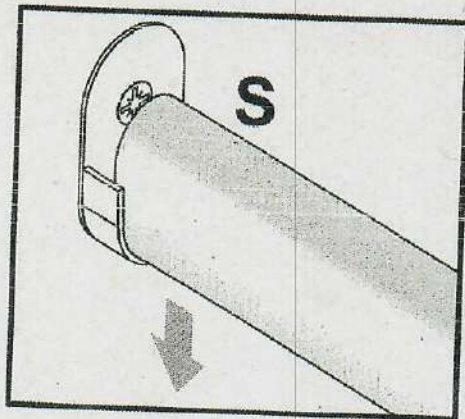
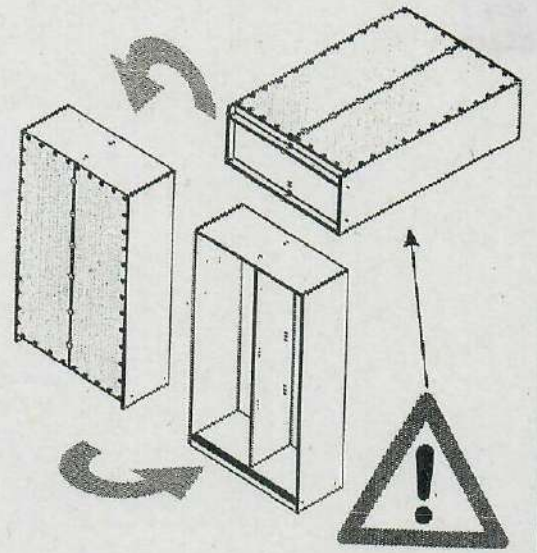
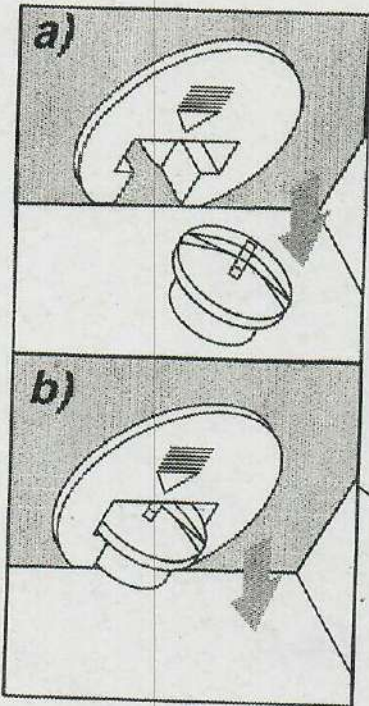


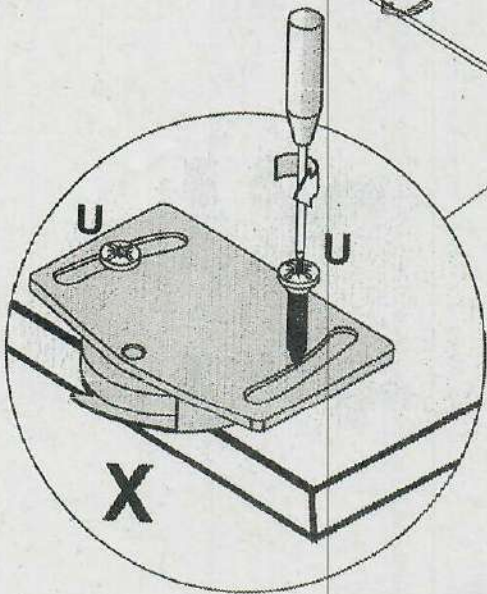
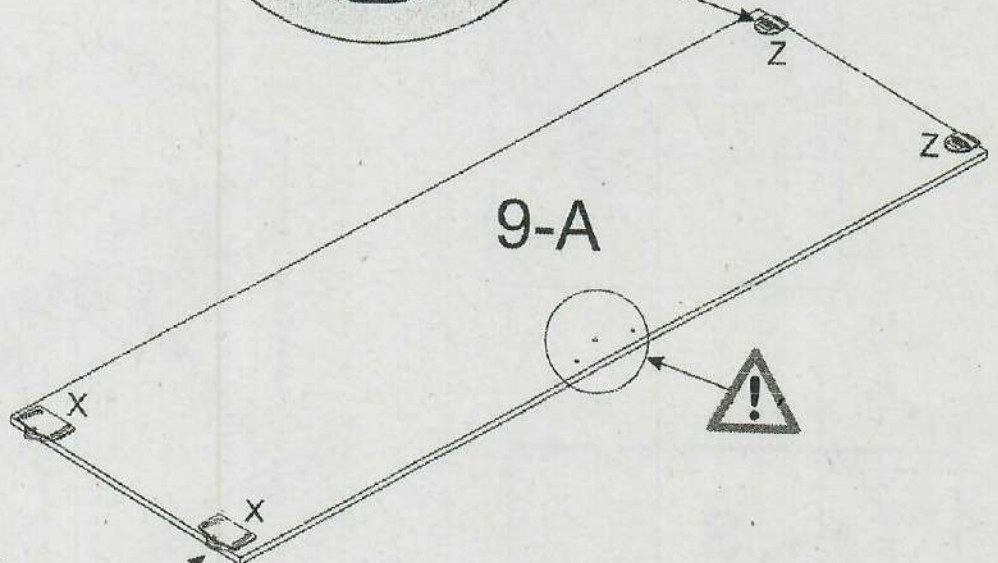
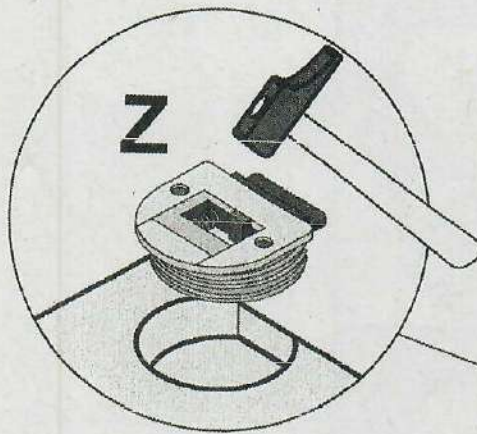
<p>B x 1</p>  <p>n° 3</p>	<p>C x 4</p>  <p>5 x 50 mm</p>	<p>P x 4</p>  <p>3 mm</p>	<p>F x 2</p>  <p>3,5 x 16 mm</p>
---	--	---	--





<p>D x 6</p> 	<p>F x 6</p>  <p>3.5 x 16 mm</p>	<p>Q x 60</p>  <p>20 mm</p>
--	---	--





U x 4

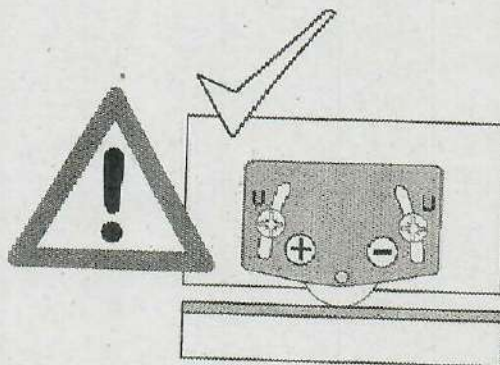


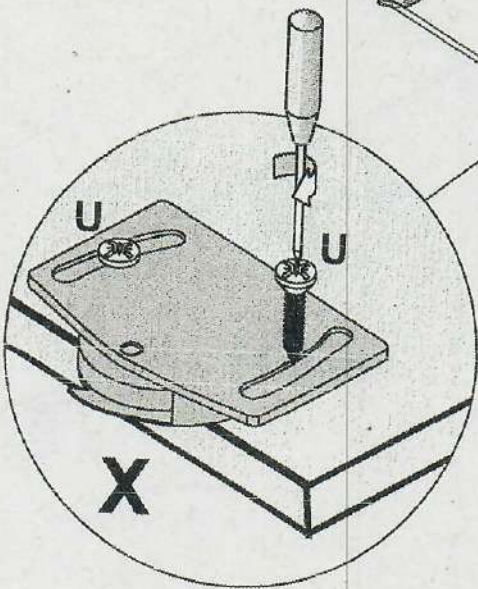
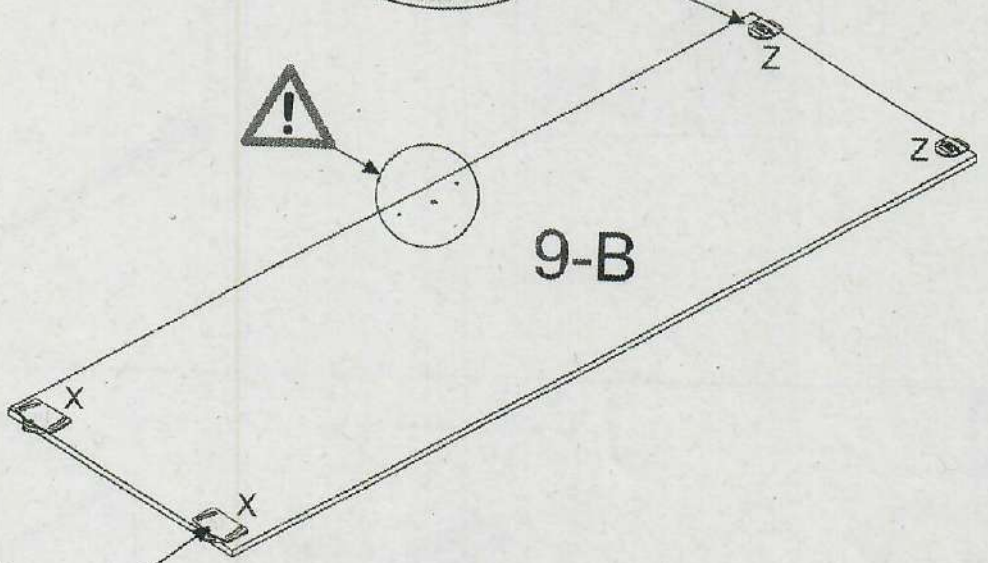
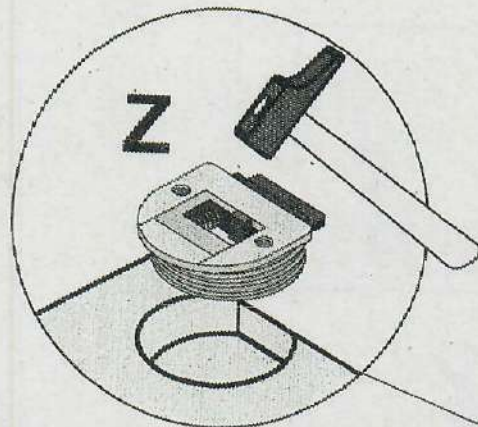
3 x 15 mm

X x 2



Z x 2





U x 4

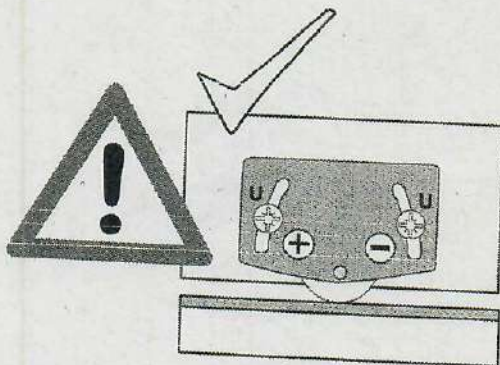


3 x 15 mm

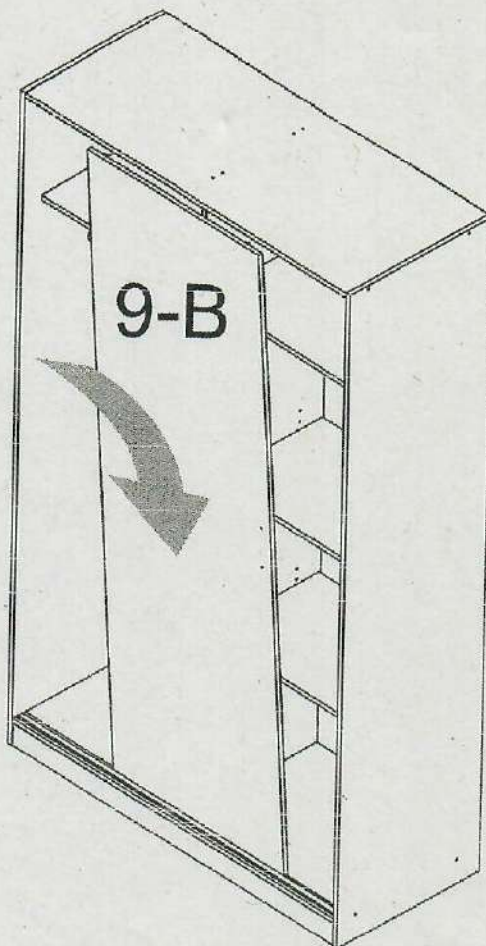
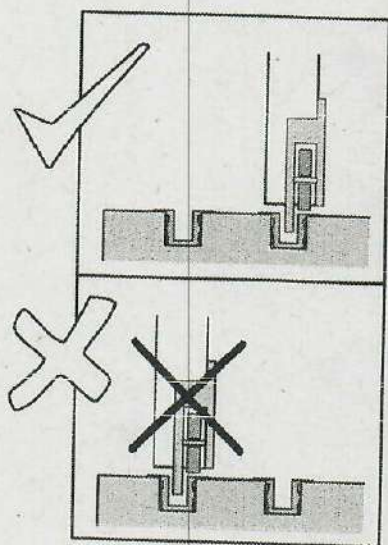
X x 2



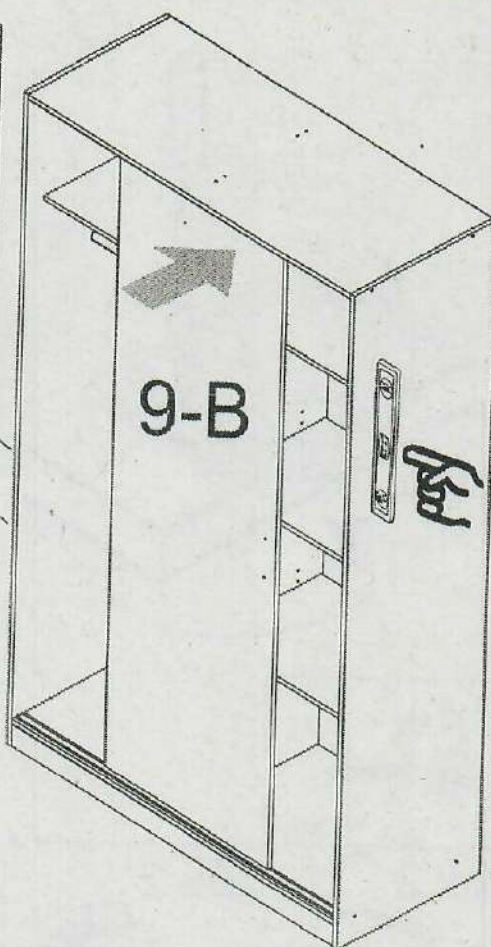
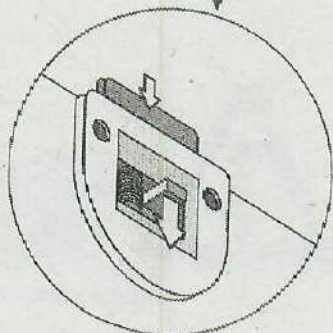
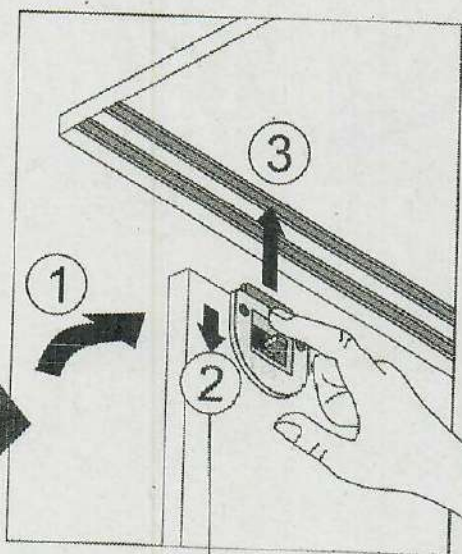
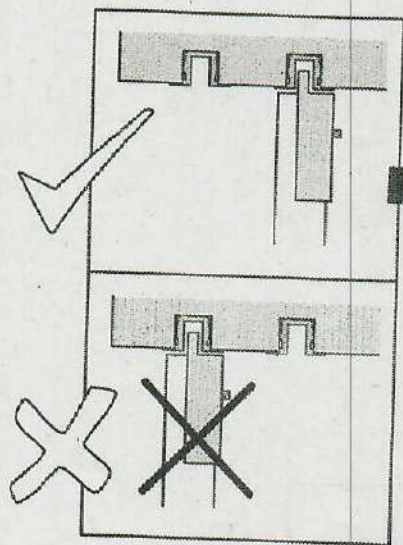
Z x 2



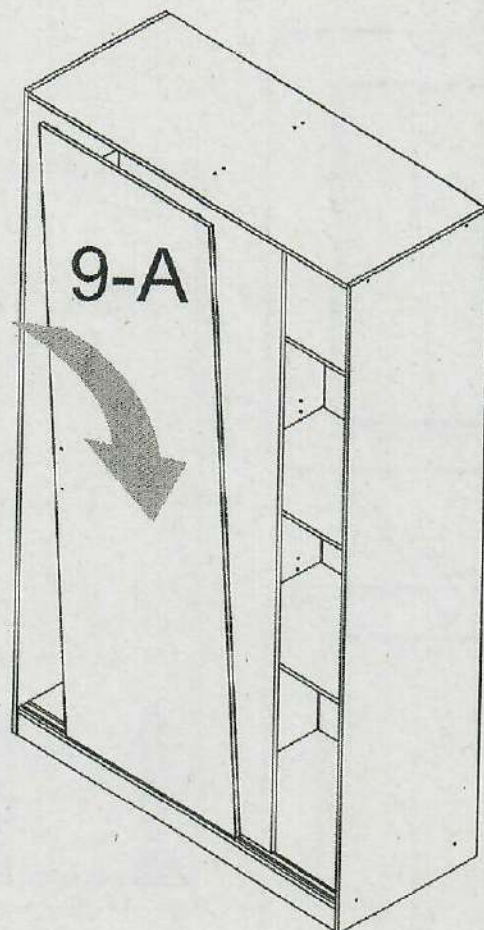
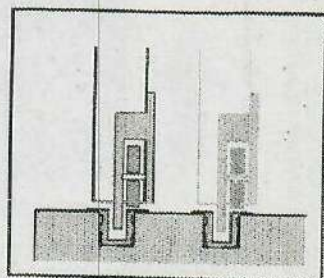
15



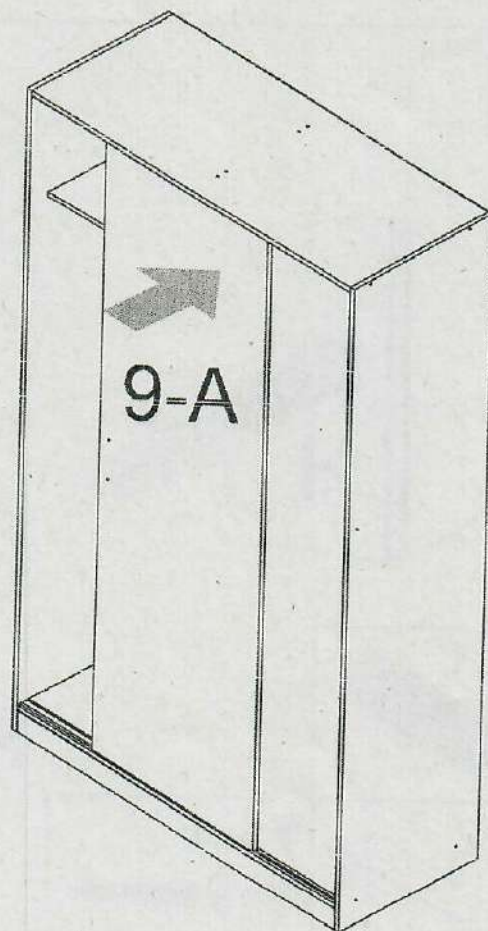
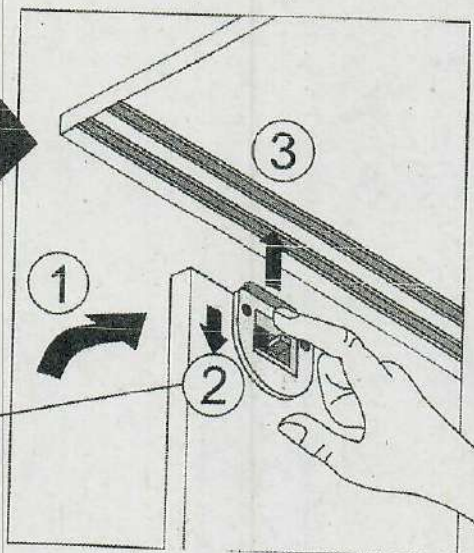
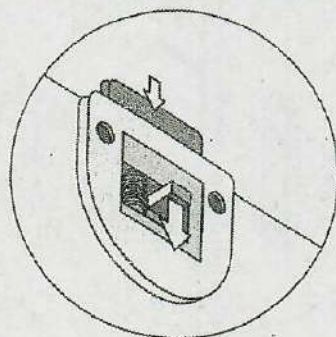
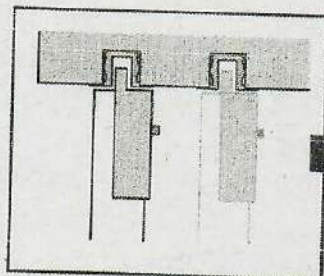
16



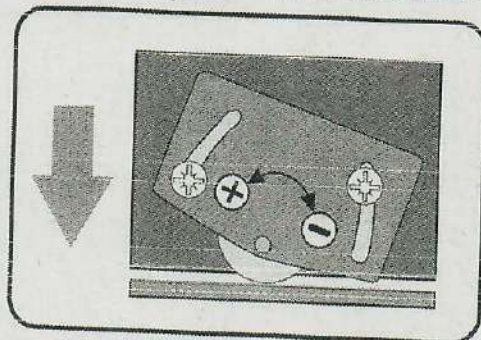
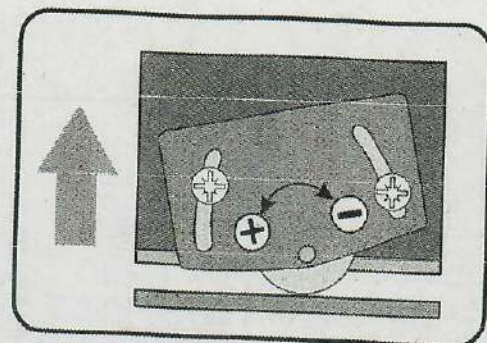
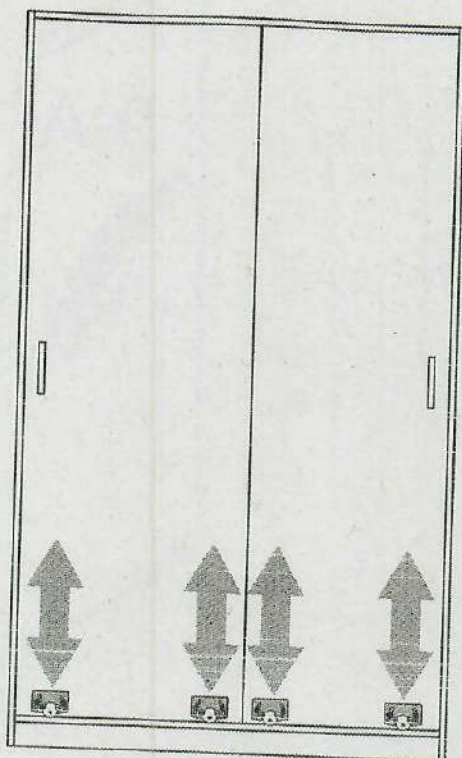
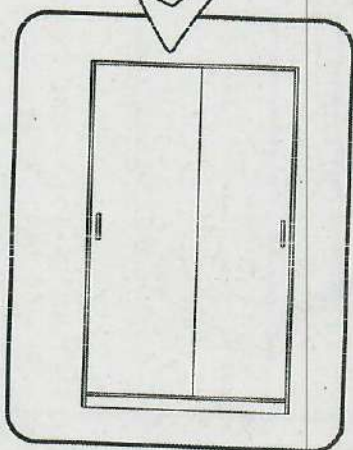
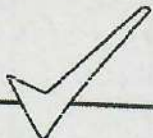
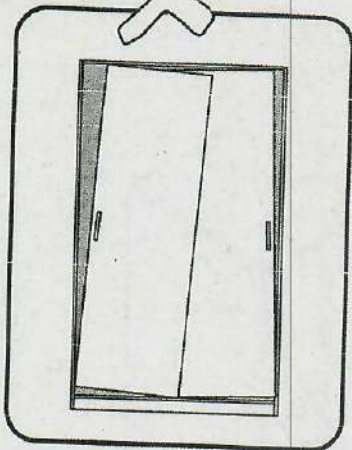
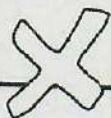
17



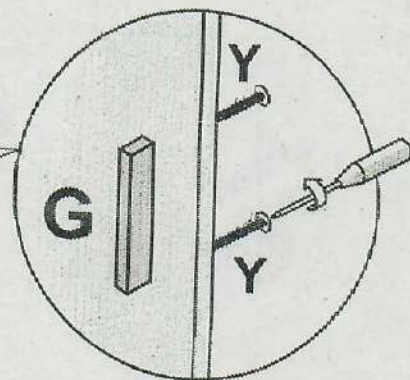
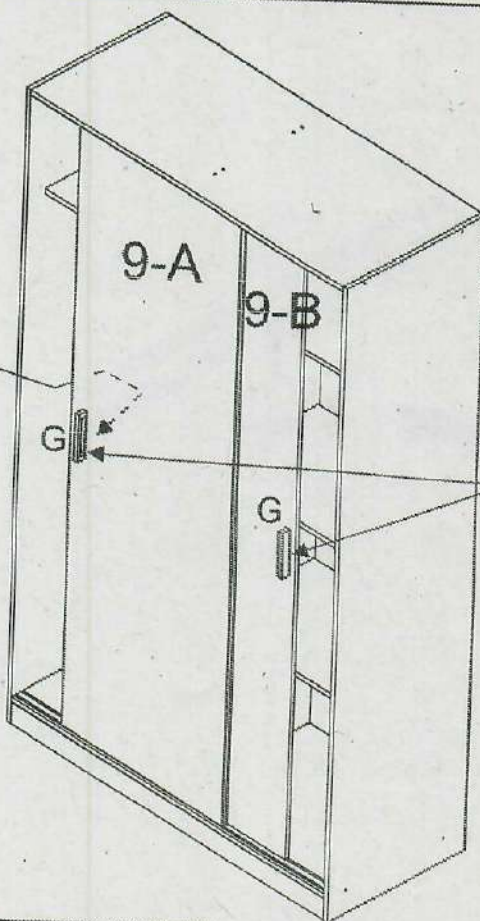
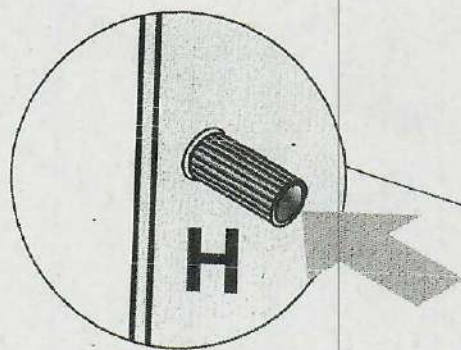
18



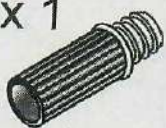
19



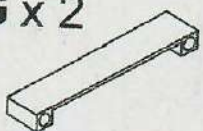
20



H x 1



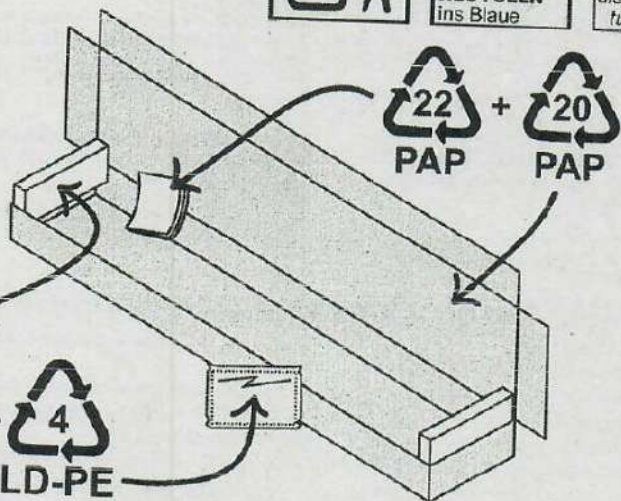
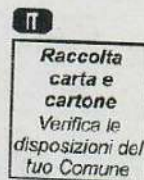
G x 2



Y x 4



3,5 x 27 mm



FR NOTICE
+ BOÎTE
+ PROTECTIONS
+ SAC



Pensez à donner ou recycler.



<https://quefairedemesdechets.fr>